

# OUTLINE

## 3-PHASE INDUCTION MOTOR

TOTALLY ENCLOSED  
FAN COOLED  
SQUIRREL CAGE ROTOR  
(OUTDOOR)

FILE NO:

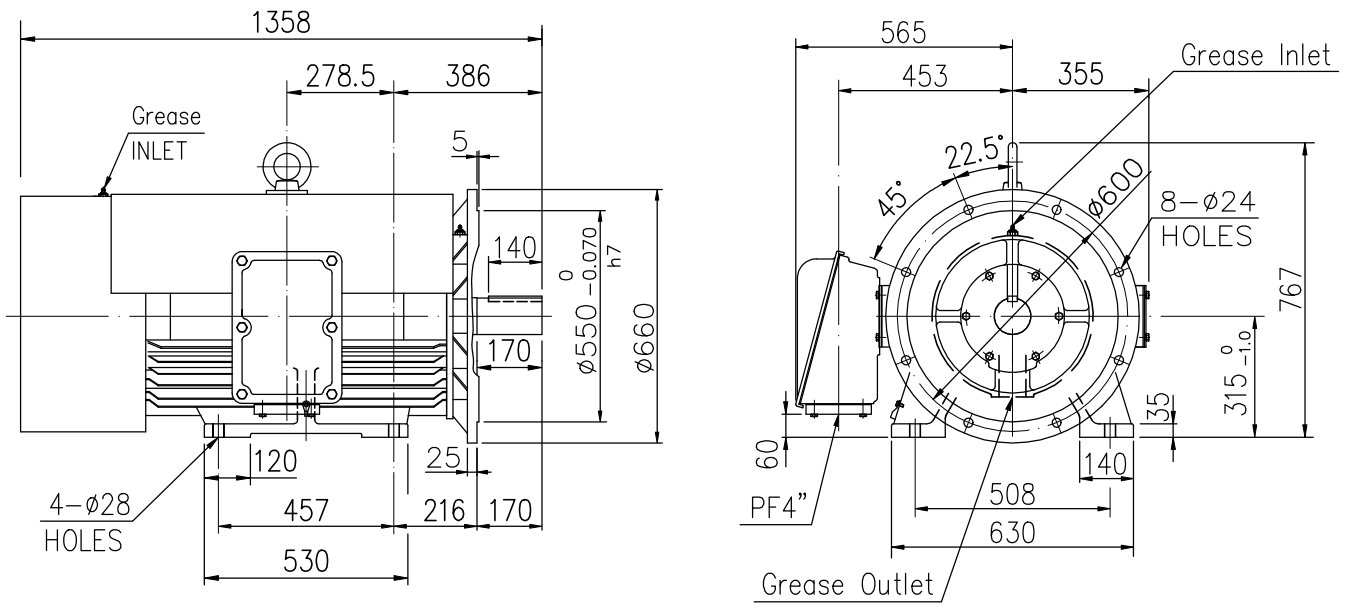
CUSTOMER:

PO. NO:

ORDER NO:

OUTPUT	POLE	SYN. SPEED	VOLT.	FREQ	INSUL.	TIME RATING	MODEL	FRAME NO.
					F	S1	FHFC-HD	315M

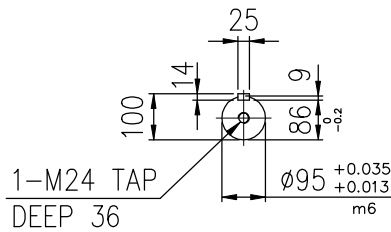
- \* IE3 Efficiency
- \* Direct Coupled



TOLERANCE

KEY WIDTH h9  $\begin{matrix} 0 \\ -0.052 \end{matrix}$

KEY WAY N9  $\begin{matrix} 0 \\ -0.052 \end{matrix}$



**Preliminary Drawing  
For Reference Only**

Note:

- 1) Approximate weight = 1170 kg
- 2) Drive end bearing: 6320  
Opposite drive end bearing: 6318

HISTORY	
△	



	DESIGNED	F.M.SUE	DEC, 15, 2017
	CHECKED	L.J. LEE	DEC, 15, 2017
	APPROVED	L.J. LEE	DEC, 15, 2017
	DWG NO: AS-063906		REV. (00)
	3RD ANGLE PROJECTION		
	DIMENSIONS IN mm		