

# OUTLINE

## 3-PHASE

### INDUCTION MOTOR

TOTALLY ENCLOSED  
FAN COOLED  
SQUIRREL CAGE ROTOR

FILE NO:

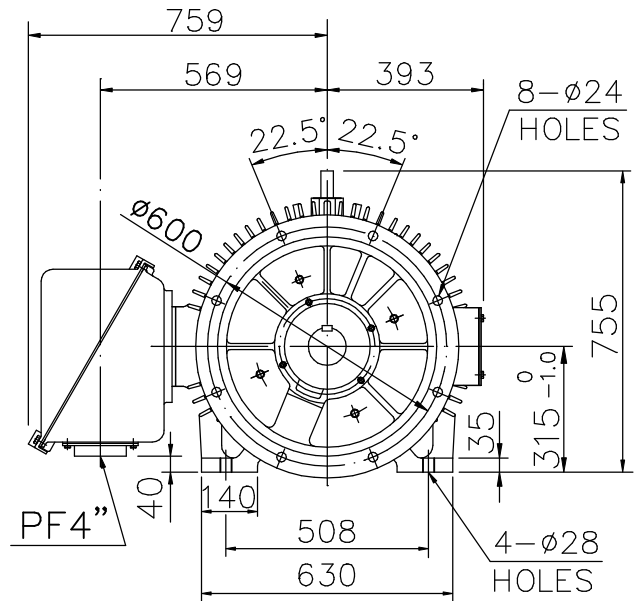
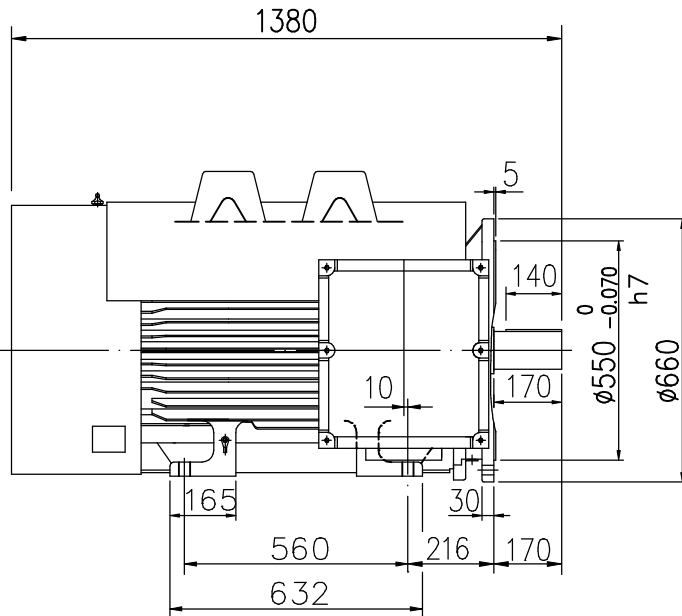
CUSTOMER:

PO. NO:

ORDER NO:

OUTPUT	POLE	SYN. SPEED	VOLT.	FREQ	INSUL.	TIME RATING	MODEL	FRAME NO.
					F	S1	FHFC-HD	315LS

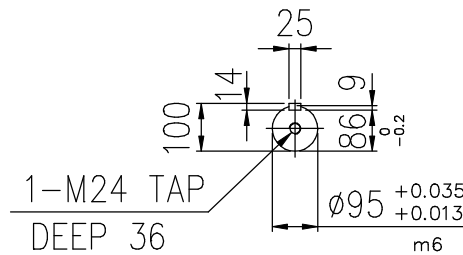
- \* IE3 Efficiency
- \* Direct Coupled



TOLERANCE

KEY WIDTH h9  $\begin{matrix} 0 \\ -0.052 \end{matrix}$

KEY WAY N9  $\begin{matrix} 0 \\ -0.052 \end{matrix}$



Note:

- 1) Approximate weight = 1670 kg
- 2) Drive end bearing: 6320  
Opposite drive end bearing: 6318

HISTORY	
$\Delta$	



		REV.
DESIGNED	F.M.SUE JAN,10,2018	DWG NO:AS-073823 (00)
CHECKED	L.J. LEE JAN,10,2018	3RD ANGLE PROJECTION
APPROVED	L.J. LEE JAN,10,2018	DIMENSIONS IN mm