

# OUTLINE 3-PHASE INDUCTION MOTOR

TOTALLY ENCLOSED  
FAN COOLED  
SQUIRREL CAGE ROTOR  
(INDOOR)

FILE NO:

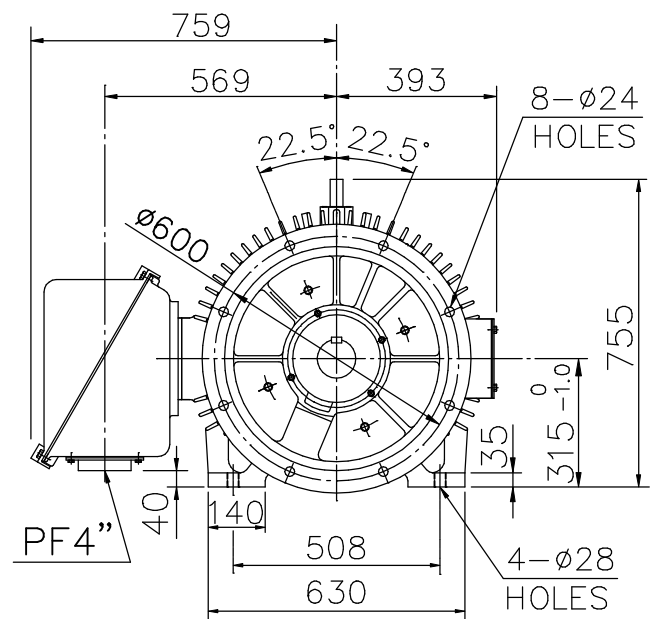
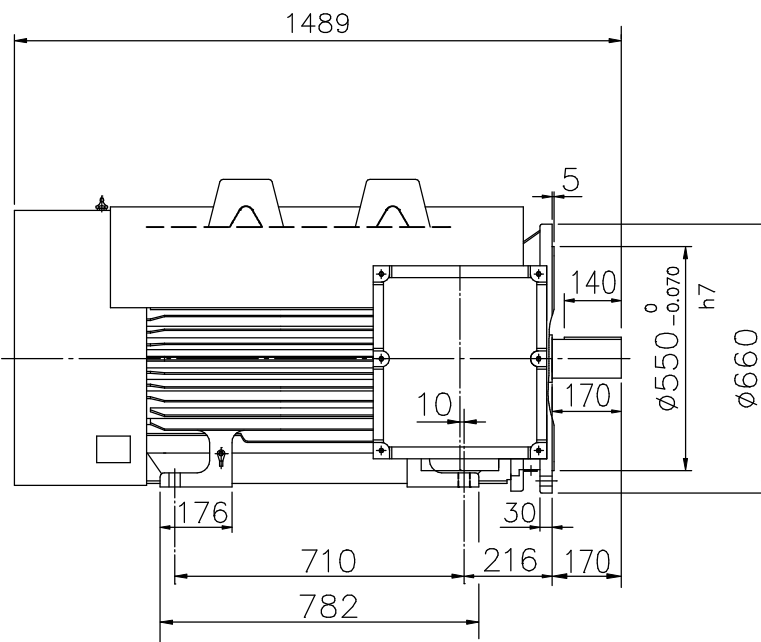
CUSTOMER:

PO. NO:

ORDER NO:

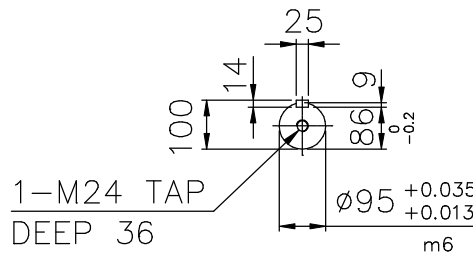
OUTPUT	POLE	SYN. SPEED	VOLT.	FREQ	INSUL.	TIME RATING	MODEL	FRAME NO.
					F	S1	FHFC-HD	315LL

- \* IE3 Efficiency
- \* Direct Coupled



TOLERANCE

KEY WIDTH h9  $\begin{matrix} 0 \\ -0.052 \end{matrix}$   
KEY WAY N9  $\begin{matrix} 0 \\ -0.052 \end{matrix}$



Note:

- 1) Approximate weight = 1950 kg
- 2) Drive end bearing: 6320  
Opposite drive end bearing: 6318

HISTORY	
△	
△	
△	



			REV.
DESIGNED	F.M.SUE JAN,11,2018	DWG. NO: AS-073825	①
CHECKED	L.J.LEE JAN,11,2018	3RD ANGLE PROJECTION	
APPROVED	L.J.LEE JAN,11,2018	DIMENSIONS IN mm	