

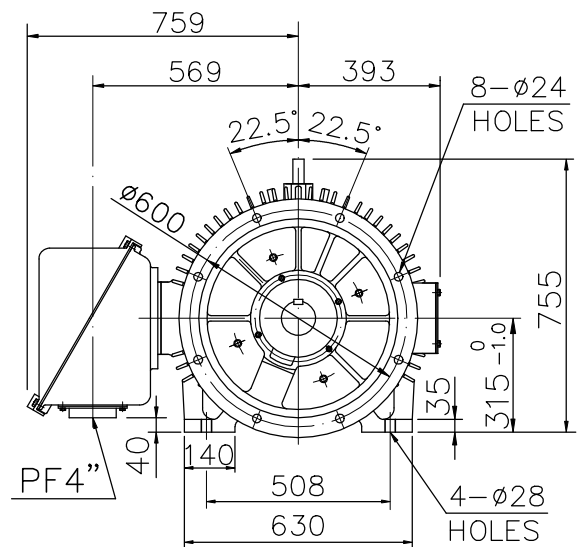
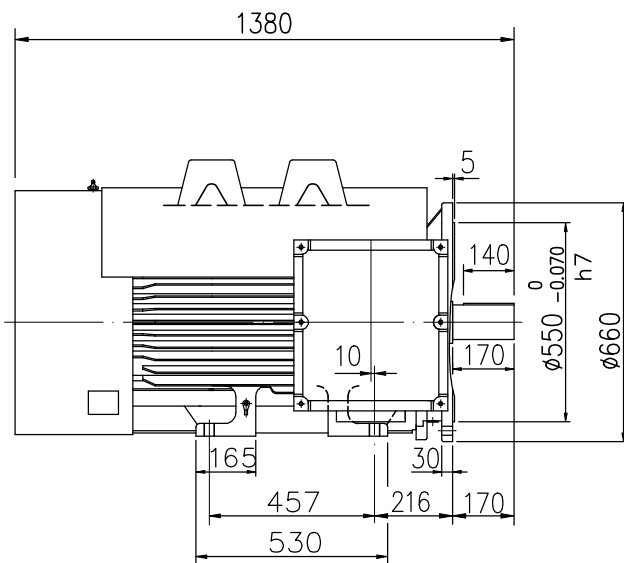
OUTLINE
3-PHASE
INDUCTION MOTOR

TOTALLY ENCLOSED
FAN COOLED
SQUIRREL CAGE ROTOR

FILE NO:
CUSTOMER:
PO. NO:
ORDER NO:

OUTPUT	POLE	SYN. SPEED	VOLT.	FREQ	INSUL.	TIME RATING	MODEL	FRAME NO.
	6				F	S1	FHFC-HD	315M(F)

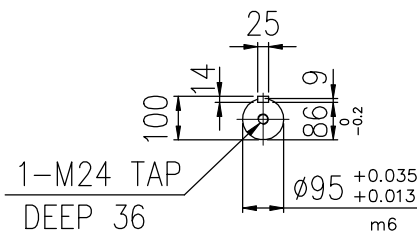
- * IE3 Efficiency
- * Direct Coupled



TOLERANCE

KEY WIDTH h9 $\begin{matrix} 0 \\ -0.052 \end{matrix}$

KEY WAY N9 $\begin{matrix} 0 \\ -0.052 \end{matrix}$



Note:

- 1) Approximate weight = 1670 kg
- 2) Drive end bearing: 6320
Opposite drive end bearing: 6318

HISTORY	
△	



		REV.
DESIGNED	F.M.SUE JAN, 10, 2018	DWG NO: AS-073891 (00)
CHECKED	L.J. LEE JAN, 10, 2018	3RD ANGLE PROJECTION
APPROVED	L.J. LEE JAN, 10, 2018	DIMENSIONS IN mm