

# OUTLINE 3-PHASE INDUCTION MOTOR

TOTALLY ENCLOSED FAN  
COOLED, SQUIRREL CAGE  
ROTOR  
PREMIUM EFFICIENCY  
IE3 SERIES

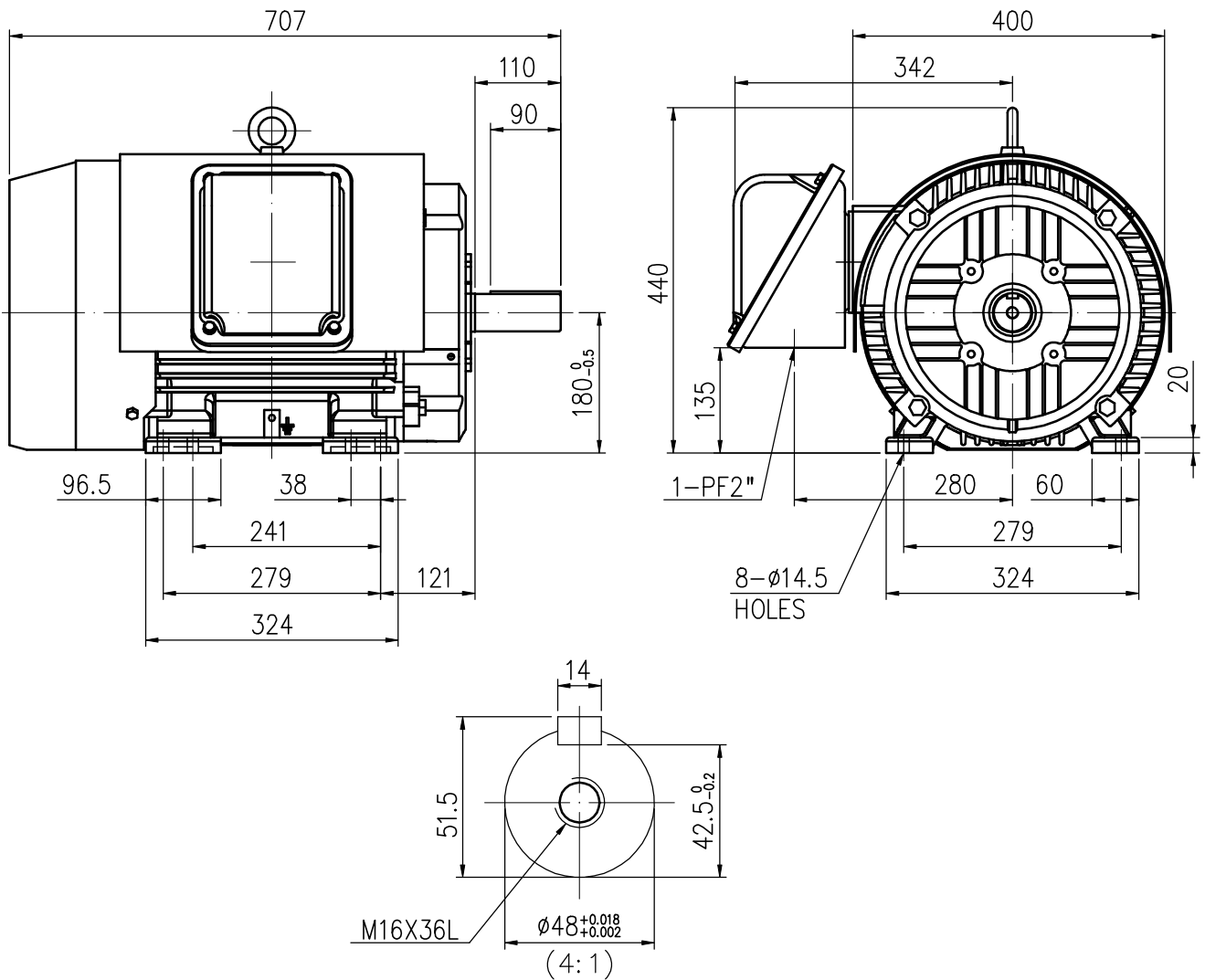
FILE NO:

CUSTOMER:

PO. NO:

ORDER NO:

| OUTPUT | POLE | SYN. SPEED | VOLT. | FREQ. | TIME RATING | MODEL  | FRAME NO. |
|--------|------|------------|-------|-------|-------------|--------|-----------|
|        |      |            |       |       | S1          | FHFC-W | 180M      |



- NOTE: 1. F CLASS INSULATION.  
2. IP55.  
3. WITH CAST IRON T-BOX.

| BEARING NO : |          | APPROX. WEIGHT |
|--------------|----------|----------------|
| D.E          | O.D.E    |                |
| 6310ZZC3     | 6310ZZC3 | 191kg          |

Preliminary Drawing for Reference Only



|                      |         |                      |      |
|----------------------|---------|----------------------|------|
| CERTIFIED BY : _____ |         | DATE : _____         |      |
| DESIGNED             | J.Y. SU | DWG. NO : AS-104591  | REV. |
| CHECKED              | C.P. SU | 3RD ANGLE PROJECTION | 00   |
| APPROVED             | C.P. SU | DIMENSIONS IN mm     |      |