

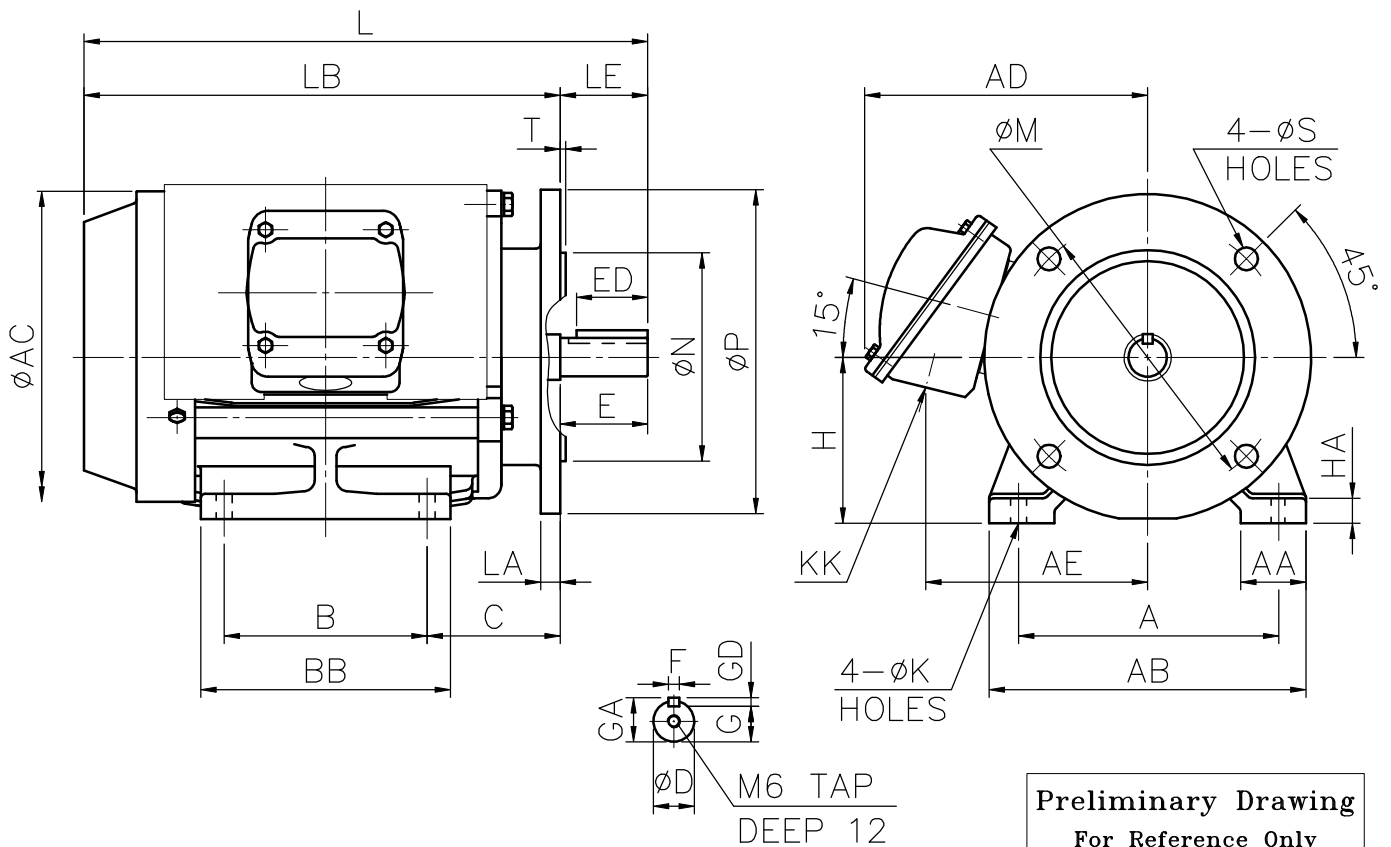
# OUTLINE 3-PHASE INDUCTION MOTOR

TOTALLY ENCLOSED FAN  
COOLED, SQUIRREL CAGE  
ROTOR  
(OUTDOOR)

FILE NO:  
CUSTOMER:  
PO. NO:  
ORDER NO:

OUTPUT	POLE	SYN. SPEED R.P.M	VOLT. V	FREQ Hz	INSUL. F	TIME RATING S1	MODEL FHFC-HD	FRAME NO. 80M
	2P							

\*\* IE3 EFFICIENCY  
\*\* FOR DIRECT COUPLING



A	B	C	H	∅K	L	AA	AB	∅AC	AD	LB	LE	BB	HA	AE	HC	KK
125	100	76	80	10	296	35	155	180	165	256	40	130	8	126	---	PF3/4"
∅M	∅N	∅P	∅S	T	LA	SHAFT END						BEARING NO.		APPROX WEIGHT		
						∅D	E	ED	F	G	GD	GA	D.E	O.D.E		
165	130	200	12	3.5	12	19	40	30	6	15.5	6	21.5	6204zz	6204zz	19kg	

NOTE: 1. TOLERANCE OF SHAFT END DIAMETER D: j6 (+0.009, -0.004)  
2. TOLERANCE OF SHAFT CENTER HEIGHT H: +0, -0.5

CERTIFIED BY : \_\_\_\_\_ DATE : \_\_\_\_\_

DESIGNED	S.L.TSAI JAN.03,2019	DWG. NO: AS-064032
CHECKED	L.J.LEE JAN.03,2019	3RD ANGLE PROJECTION
APPROVED	L.J.LEE JAN.03,2019	DIMENSIONS IN mm

