

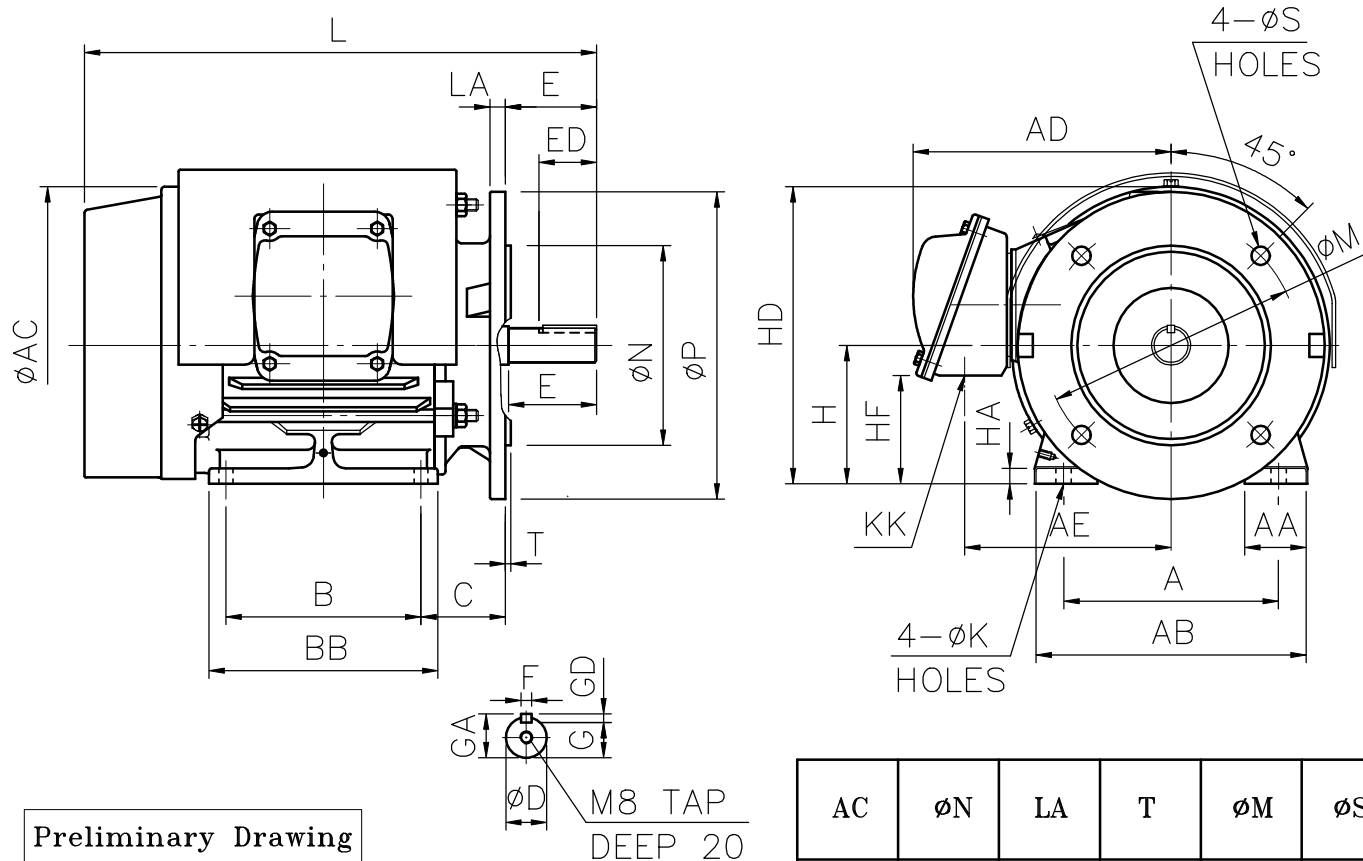
OUTLINE 3-PHASE INDUCTION MOTOR

TOTALLY ENCLOSED FAN
COOLED, SQUIRREL CAGE
ROTOR (WMP-90)
(OUTDOOR)

FILE NO:
CUSTOMER:
PO. NO:
ORDER NO:

| OUTPUT | POLE | SYN. SPEED R.P.M | VOLT. V | FREQ Hz | INSUL. F | TIME RATING S1 | MODEL FHFC-HD | FRAME NO. 90L |
|--------|------|---------------------|------------|------------|-------------|-------------------|------------------|------------------|
| | 2P | | | | | | | |

** IE3 EFFICIENCY
** FOR DIRECT COUPLING



Preliminary Drawing
For Reference Only

| AC | øN | LA | T | øM | øS |
|-----|-----|----|-----|-----|----|
| 207 | 130 | 10 | 3.5 | 165 | 12 |

| A | B | C | H | øK | L | AA | AB | øP | AD | AE | AF | BB | HA |
|-----|-----|----|----|----|-----|----|-----|-----|-----|-----|----|-----|----|
| 140 | 125 | 56 | 90 | 10 | 327 | 40 | 176 | 200 | 170 | 134 | -- | 149 | 10 |

| HD | HF | KK | SHAFT END | | | | | | | BEARING NO. | | APPROX WEIGHT |
|-----|----|--------|-----------|----|----|---|----|----|----|-------------|--------|---------------|
| | | | øD | E | ED | F | G | GD | GA | D.E | O.D.E | |
| 194 | 79 | PF3/4" | 24 | 50 | 40 | 8 | 20 | 7 | 27 | 6205zz | 6205zz | 30 kg |

NOTE: 1.TOLERANCE OF SHAFT END DIAMETER øD : j6(+0.09, -0.004).
2.TOLERANCE OF SHAFT CENTER HEIGHT H : +0, -0.5

| | | | |
|----------------|-------------------------|----------------------|--|
| CERTIFIED BY : | | DATE : | |
| DESIGNED | S.L.TSAI JAN.03,2019 | DWG. NO: AS-064033 | |
| CHECKED | L.J.LEE JAN.03,2019 | 3RD ANGLE PROJECTION | |
| APPROVED | L.J.LEE JAN.03,2019 | DIMENSIONS IN mm | |

