

OUTLINE 3-PHASE INDUCTION MOTOR

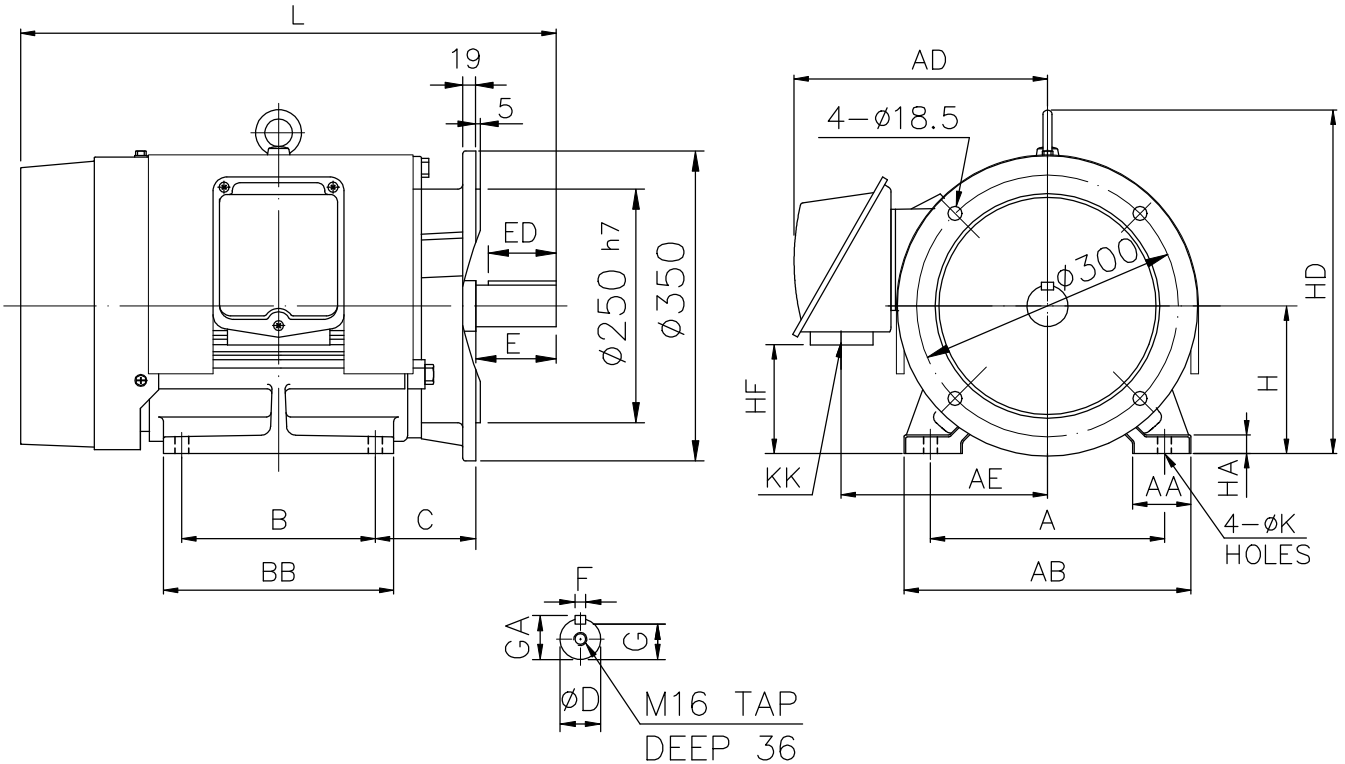
TOIALLY ENCLOSED FAN
COOLED, SQUIRREL CAGE
ROTOR(90 SERIES)

(OUTDOOR)

FILE NO:
CUSTOMER:
PO. NO:
ORDER NO:

OUTPUT	POLE	SYN. SPEED	VOLT.	FREQ	TIME RATING	MODEL	FRAME NO.
	2P				S1	FHFC-HD	160M

** IE3 EFFICIENCY
** FOR DIRECT COUPLING



Preliminary Drawing
For Reference Only

A	B	C	H	K	L	AA	AB	AD	AE	BB	HA		
254	210	108	160	14.5	603	60	308	283	220	250	18		
HD	HF	KK	SHAFT END						BEARING NO.		APPROX WEIGHT		
			D	E	ED	F	G	GA	D.E	O.D.E			
373	110	PF1"	42	110	90	12	37	45		6310ZZ	6208ZZ	134 kg	

NOTE: 1. TOLERANCE OF SHAFT END DIAMETER D: k6(+0.018,+0.002)
 2. TOLERANCE OF SHAFT CENTER HEIGHT H: +0,-0.5
 3. F CLASS INSULATION.



CERTIFIED BY : _____		DATE : _____	
DESIGNED	S.L.TSAI JAN.03,2019	DWG. NO: AS-064038	
CHECKED	L.J.LEE JAN.03,2019	3RD ANGLE PROJECTION	
APPROVED	L.J.LEE JAN.03,2019	DIMENSIONS IN mm	