

OUTLINE 3-PHASE INDUCTION MOTOR

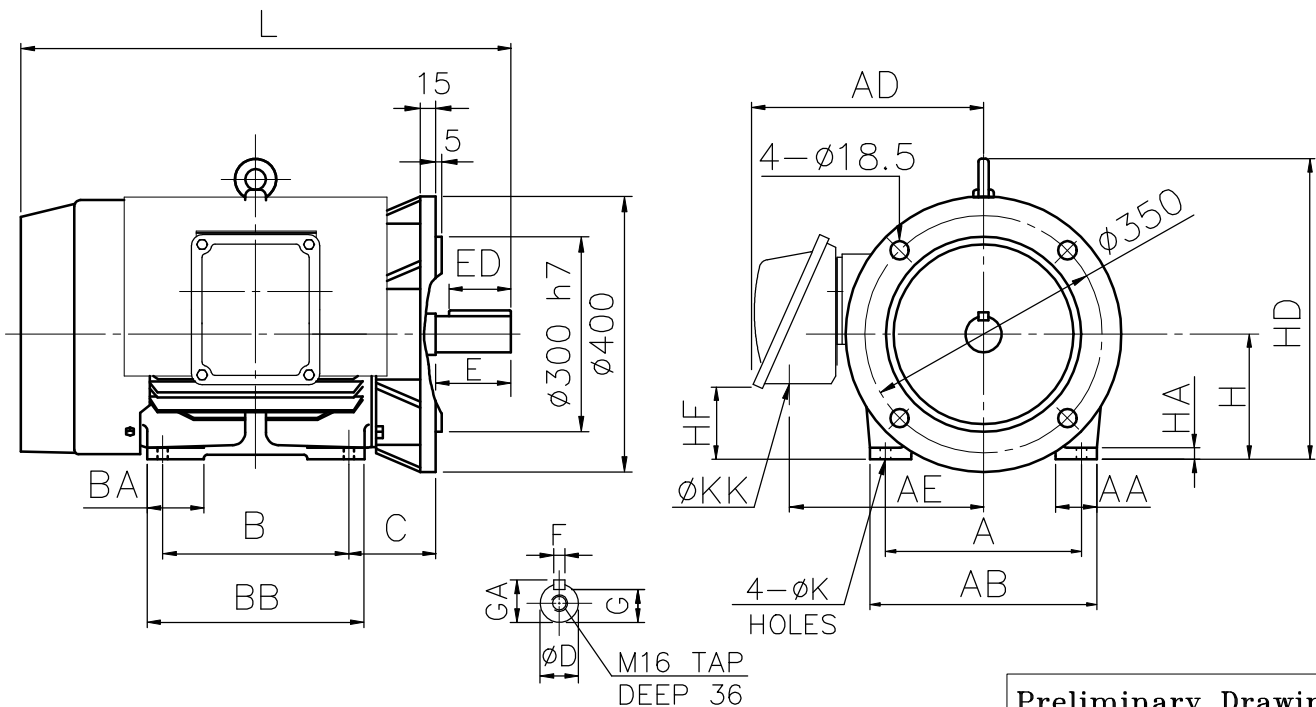
TOTALLY ENCLOSED FAN
COOLED, SQUIRREL CAGE
ROTOR. (90 SERIES)

(OUTDOOR)

FILE NO:
CUSTOMER:
PO. NO:
ORDER NO:

OUTPUT	POLE	SYN. SPEED	VOLT.	FREQ	TIME RATING	MODEL	FRAME NO.
					S1	FHFC-HD	180L

** IE3 EFFICIENCY
** FOR DIRECT COUPLING



Preliminary Drawing
For Reference Only

A	B	C	H	K	L	AA	AB	AC	AD	AE	BA	BB	HA
279	279	121	180	14.5	714.5	60	324	398	355	280	82.5	324	20

HD	HF	KK	SHAFT END						BEARING NO.		APPROX WEIGHT	
			D	E	ED	F	G	GA	D.E	O.D.E		
440	105	PF3"	55	110	90	16	49	59		6312ZZ	6212ZZ	232kg

NOTE: 1. TOLERANCE OF SHAFT END DIAMETER D: m6
 2. TOLERANCE OF SHAFT CENTER HEIGHT H: +0 , -0.5
 3. F CLASS INSULATION.

CERTIFIED BY : _____ DATE : _____

DESIGNED	S.L.TSAI JAN.03,2019	DWG. NO: AS-064042
CHECKED	L.J.LEE JAN.03,2019	3RD ANGLE PROJECTION
APPROVED	L.J.LEE JAN.03,2019	DIMENSIONS IN mm

