

# OUTLINE 3-PHASE INDUCTION MOTOR

TOTALLY ENCLOSED FAN  
COOLED, SQUIRREL CAGE  
ROTOR (B SERIES)  
(OUTDOOR)

FILE NO:

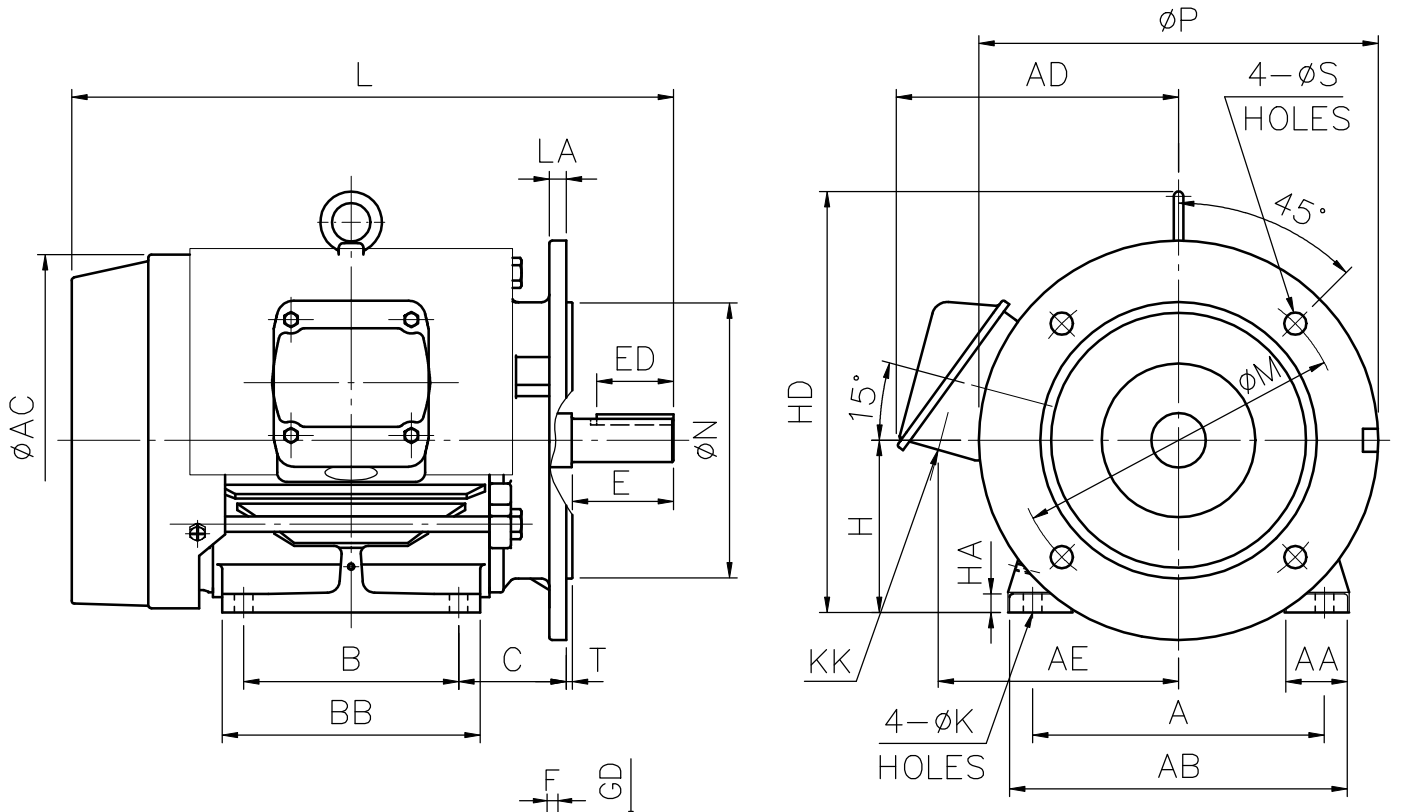
CUSTOMER:

PO. NO:

ORDER NO:

| OUTPUT | POLE | SYN. SPEED<br>R.P.M | VOLT.<br>V | FREQ<br>Hz | INSUL.<br>F | TIME RATING<br>S1 | MODEL<br>FHFC-HD | FRAME NO.<br>100L |
|--------|------|---------------------|------------|------------|-------------|-------------------|------------------|-------------------|
|--------|------|---------------------|------------|------------|-------------|-------------------|------------------|-------------------|

\*\* IE3 EFFICIENCY  
\*\* FOR DIRECT COUPLING



Preliminary Drawing  
For Reference Only

| φP  | φN  | LA | T | φM  | φS   |
|-----|-----|----|---|-----|------|
| 250 | 180 | 11 | 4 | 215 | 14.5 |

| A   | B   | C  | H   | φK | L   | AA | AB  | AC  | AD  | AE  | AF | BB  | HA |
|-----|-----|----|-----|----|-----|----|-----|-----|-----|-----|----|-----|----|
| 160 | 140 | 63 | 100 | 12 | 378 | 40 | 200 | 223 | 185 | 155 | -- | 176 | 12 |

| HD  | KK | SHAFT END |    |    |   |    |    |    |        | BEARING NO. |      | APPROX WEIGHT |
|-----|----|-----------|----|----|---|----|----|----|--------|-------------|------|---------------|
|     |    | φD        | E  | ED | F | G  | GD | GA | D.E    | O.D.E       |      |               |
| 246 | 28 | 28        | 60 | 50 | 8 | 24 | 7  | 31 | 6206zz | 6206zz      | 42kg |               |

NOTE: 1. TOLERANCE OF SHAFT END DIAMETER D: j6 (+0.009, -0.004)  
2. TOLERANCE OF SHAFT CENTER HEIGHT H: +0, -0.5

|                |                         |                      |  |
|----------------|-------------------------|----------------------|--|
| CERTIFIED BY : |                         | DATE :               |  |
| DESIGNED       | S.L.TSAI<br>JAN.03,2019 | DWG. NO: AS-073780   |  |
| CHECKED        | L.J.LEE<br>JAN.03,2019  | 3RD ANGLE PROJECTION |  |
| APPROVED       | L.J.LEE<br>JAN.03,2019  | DIMENSIONS IN mm     |  |

