

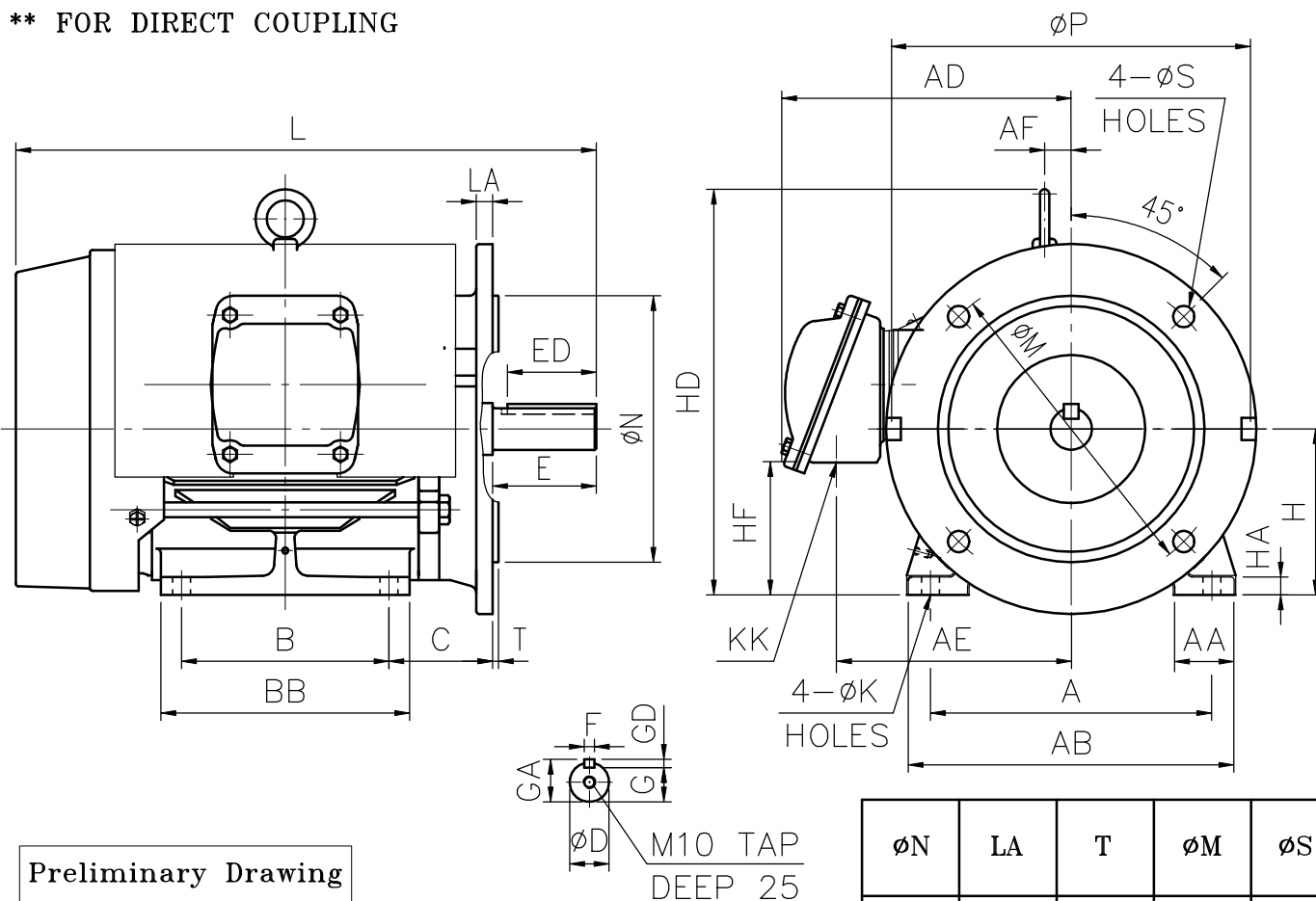
OUTLINE 3-PHASE INDUCTION MOTOR

TOTALLY ENCLOSED FAN
COOLED, SQUIRREL CAGE
ROTOR (WMP-90)
(OUTDOOR)

FILE NO:
CUSTOMER:
PO. NO:
ORDER NO:

| OUTPUT | POLE | SYN. SPEED R.P.M | VOLT. V | FREQ Hz | INSUL. F | TIME RATING S1 | MODEL FHFC-HD | FRAME NO. 112M |
|--------|------|---------------------|------------|------------|-------------|-------------------|------------------|-------------------|
|--------|------|---------------------|------------|------------|-------------|-------------------|------------------|-------------------|

** IE3 EFFICIENCY
** FOR DIRECT COUPLING



Preliminary Drawing
For Reference Only

| øN | LA | T | øM | øS |
|-----|----|---|-----|------|
| 180 | 11 | 4 | 215 | 14.5 |

| A | B | C | H | øK | L | AA | AB | øP | AD | AE | AF | BB | HA |
|-----|-----|----|-----|----|-----|----|-----|-----|-----|-----|----|-----|----|
| 190 | 140 | 70 | 112 | 12 | 382 | 40 | 220 | 250 | 186 | 150 | 18 | 168 | 12 |

| HD | HF | KK | SHAFT END | | | | | | | BEARING NO. | | APPROX WEIGHT |
|-----|----|--------|-----------|----|----|---|----|----|----|-------------|--------|---------------|
| | | | øD | E | ED | F | G | GD | GA | D.E | O.D.E | |
| 274 | 92 | PF3/4" | 28 | 60 | 50 | 8 | 24 | 7 | 31 | 6207zz | 6206zz | 48 kg |

NOTE: 1. TOLERANCE OF SHAFT END DIAMETER D: j6 (+0.009, -0.004)
2. TOLERANCE OF SHAFT CENTER HEIGHT H: +0, -0.5

| | | | |
|----------------|-------------------------|----------------------|--|
| CERTIFIED BY : | | DATE : | |
| DESIGNED | S.L.TSAI JAN.03,2019 | DWG. NO: AS-073781 | |
| CHECKED | L.J.LEE JAN.03,2019 | 3RD ANGLE PROJECTION | |
| APPROVED | L.J.LEE JAN.03,2019 | DIMENSIONS IN mm | |

