

OUTLINE 3-PHASE INDUCTION MOTOR

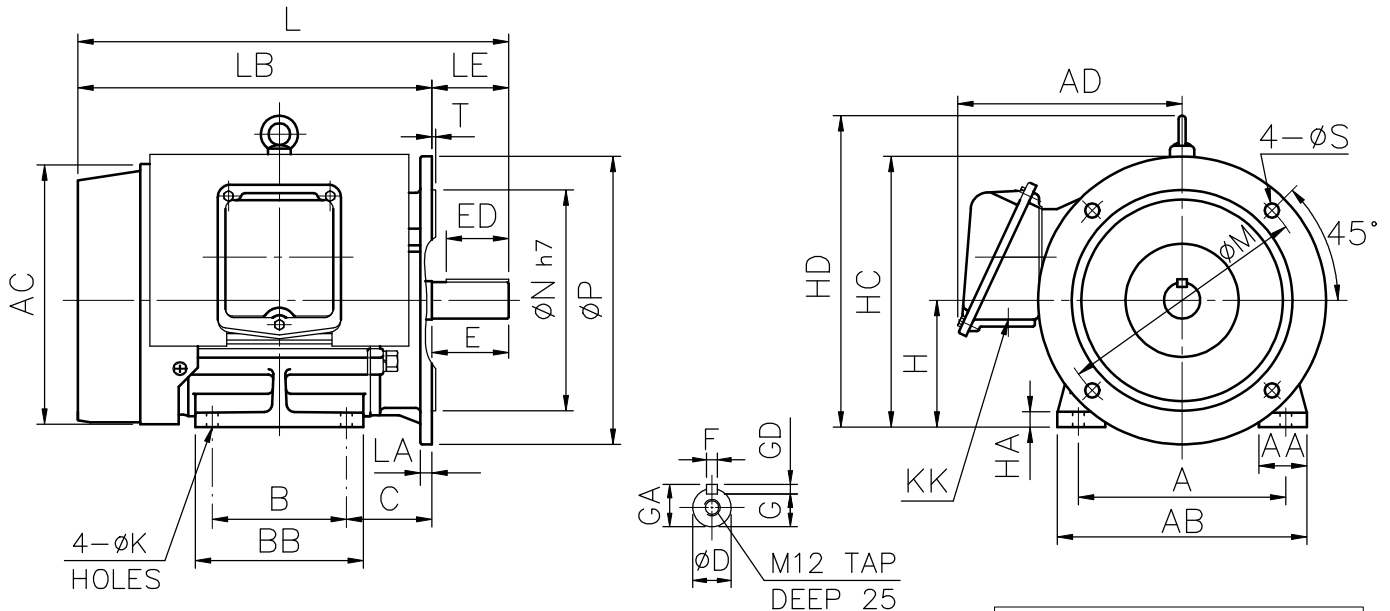
TOTALLY ENCLOSED FAN
COOLED, SQUIRREL CAGE
ROTOR

(OUTDOOR)

FILE NO:
CUSTOMER:
PO. NO:
ORDER NO:

OUTPUT	POLE	SYN. SPEED R.P.M	VOLT. V	FREQ Hz	INSUL. F	TIME RATING S1	MODEL FHFC-HD	FRAME NO. 132S
--------	------	---------------------	------------	------------	-------------	-------------------	------------------	-------------------

** IE2 EFFICNECY
** FOR DIRECT COUPLING



Preliminary Drawing
For Reference Only

A	B	C	H	φK	L	AA	AB	φAC	AD	LB	LE	BB	HA	HD	HC	KK
216	140	89	132	12	450	50	260	286	236	370	80	175	15	316	274	PF1"

φM	φN	φP	φS	T	LA	SHAFT END							BEARING NO.		APPROX WEIGHT
						φD	E	ED	F	G	GD	GA	D.E	O.D.E	
265	230	300	14.5	4	12	38	80	65	10	33	8	41	6308zz	6208zz	72kg

NOTE: 1. TOLERANCE OF SHAFT END DIAMETER D: k6 (+0.018 , +0.002)
2. TOLERANCE OF SHAFT CENTER HEIGHT H: +0 , -0.5



CERTIFIED BY : _____		DATE : _____	
DESIGNED	S.L.TSAI JAN.03,2019	DWG. NO: AS-073782	
CHECKED	L.J.LEE JAN.03,2019	3RD ANGLE PROJECTION	
APPROVED	L.J.LEE JAN.03,2019	DIMENSIONS IN mm	