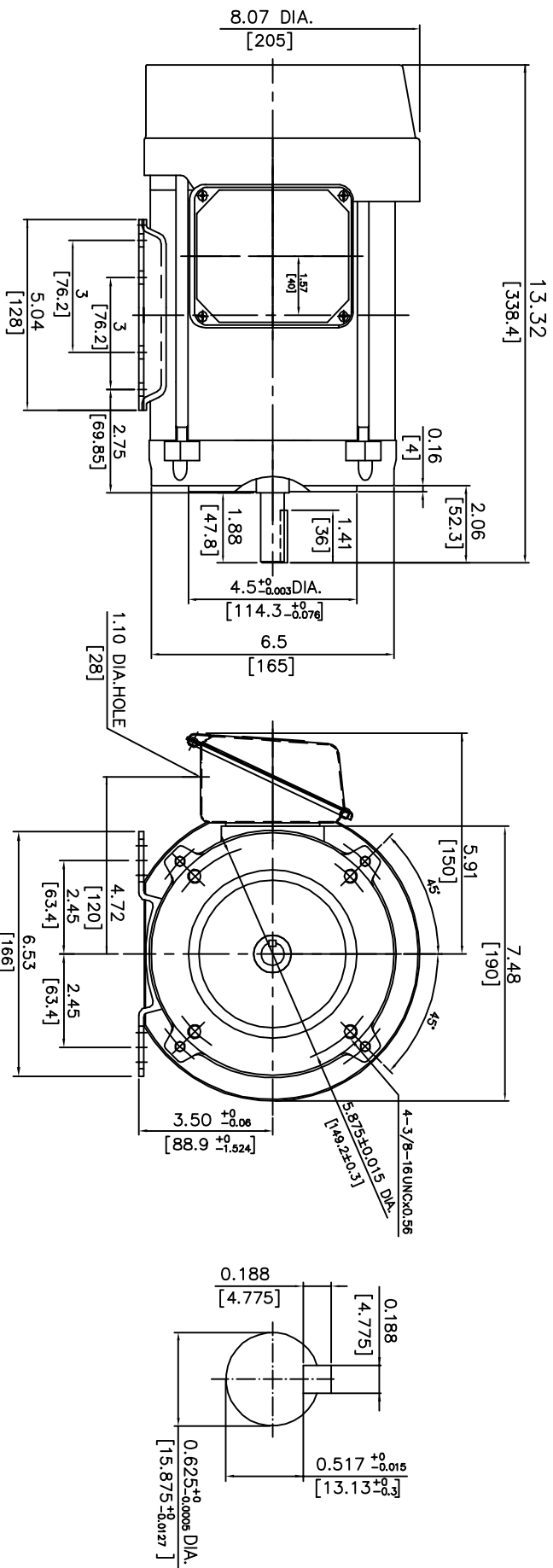


ALTERNATING CURRENT MOTORS

ENCLOSURE: TOTALLY-ENCLOSED
MOUNTING: FOOT WITH C-FACE

SQUIRREL-CAGE INDUCTION
ROLLED STEEL FRAME
FRAME 56C

COOLING: FAN COOLED



NOTES:

- (1) DIMENSIONS ARE IN INCHES.
- (2) APPROXIMATE WEIGHT = 1/3HP, 2P, - 35 LBS. 1/3HP, 4P, - 34 LBS.
1/2HP, 2P, - 35 LBS. 1/2HP, 4P, - 34 LBS.
3/4HP, 2P, - 37 LBS. 3/4HP, 4P, - 37 LBS.
1HP, 2P, - 39 LBS. 1HP, 4P, - 40 LBS.
1 1/2HP, 2P, - 44 LBS. 1 1/2HP, 4P, - 46 LBS.
2HP, 2P, - 50 LBS. 2HP, 4P, - 49 LBS.
- (3) DRIVE END BEARING 6205ZZ
- (4) OPPOSITE DRIVE END BEARING 6205ZZ
- (5) INTERNAL VOLUME OF CONDUIT BOX = 15.9 CU. IN.

FRAME- _____ ITEM _____ HP- _____ RPM- _____ PH- _____ HZ- _____ VOLTS- _____
ORDER- _____



TATUNG
SHANGHAI

DR. BY _____
CK. BY _____
APP. BY _____
DATE _____

DIMENSION
SHEET SAS-011482

REV. (00)