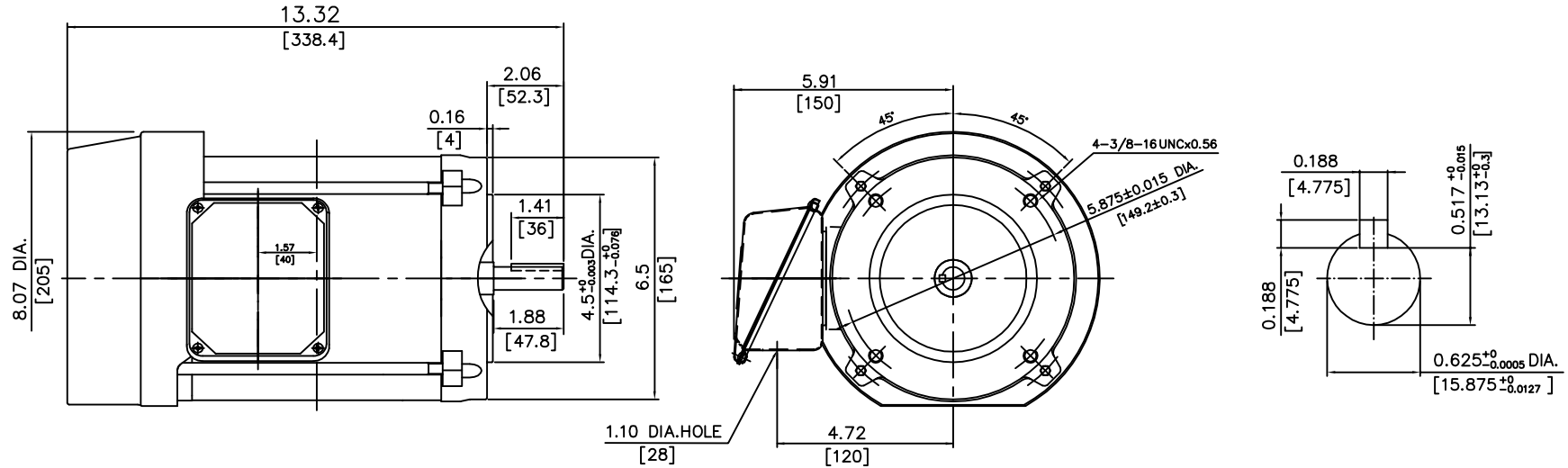


ALTERNATING CURRENT MOTORS

ENCLOSURE: TOTALLY-ENCLOSED
MOUNTING: FOOTLESS WITH C-FACE

SQUIRREL-CAGE INDUCTION
ROLLED STEEL FRAME
FRAME 56C

COOLING: FAN COOLED



NOTES:

- (1) DIMENSIONS ARE IN INCHES.
- (2) APPROXIMATE WEIGHT = 1/3HP,2P,- 34 LBS. 1/3HP,4P,- 33 LBS.
1/2HP,2P,- 33 LBS. 1/2HP,4P,- 32 LBS.
3/4HP,2P,- 35 LBS. 3/4HP,4P,- 35 LBS.
1HP,2P,- 38 LBS. 1HP,4P,- 39 LBS.
1 1/2HP,2P,- 42 LBS. 1 1/2HP,4P,- 44 LBS.
2HP,2P,- 49 LBS. 2HP,4P,- 47 LBS.

- (3) DRIVE END BEARING 6205ZZ
OPPOSITE DRIVE END BEARING 6205ZZ
- (4) INTERNAL VOLUME OF CONDUIT BOX = 15.9 CU. IN.
- (5) IP 54

FRAME- _____ CERTIFIED FOR- _____
ORDER- _____ ITEM _____ HP- _____ RPM- _____ PH- _____ HZ- _____ VOLTS- _____



DR. BY Alusen
CK. BY Sky Shen
APP. BY C.L. Wang
DATE 2015.06.15

DIMENSION
SHEET

SAS-011483

REV.
⑩