

# OUTLINE 3-PHASE INDUCTION MOTOR

TOTALLY ENCLOSED FAN  
COOLED, SQUIRREL CAGE  
ROTOR

FILE NO:

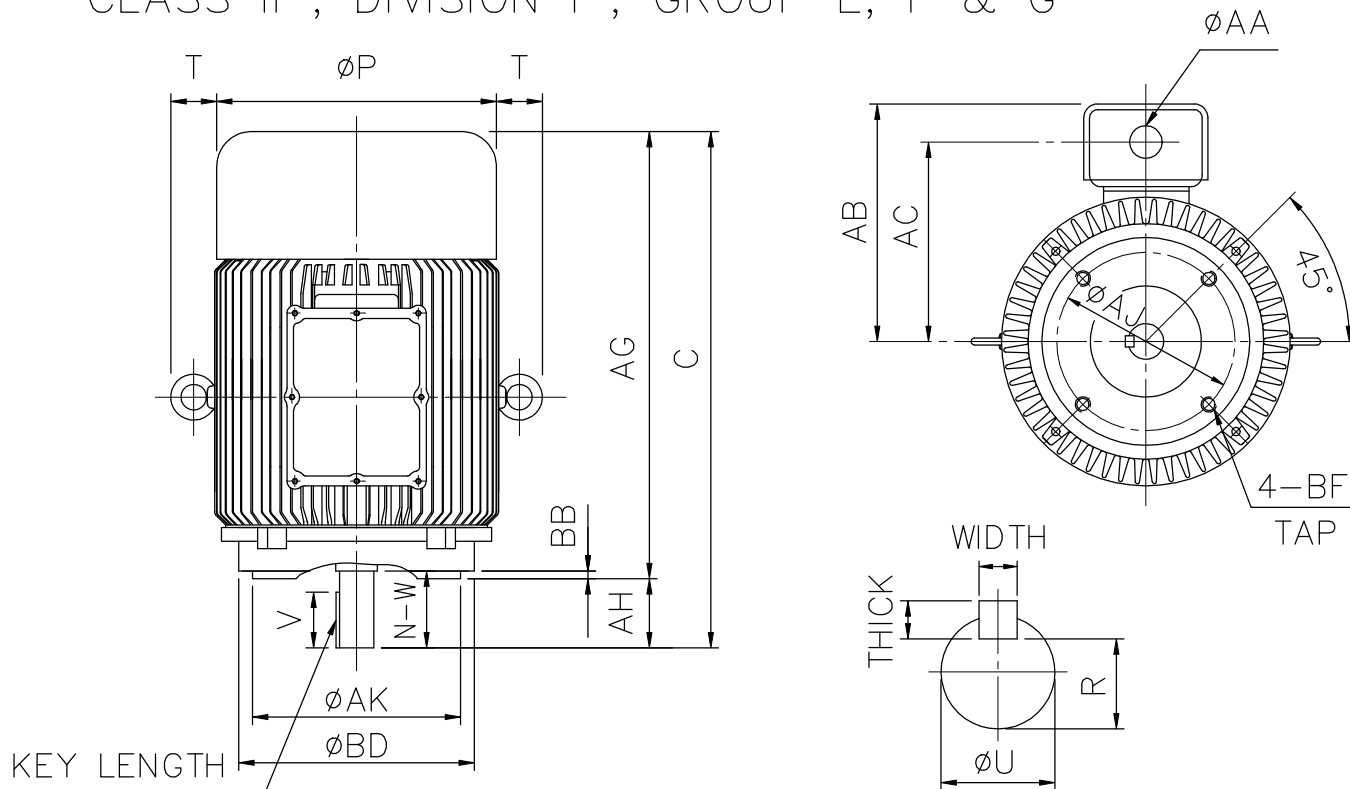
CUSTOMER:

PO. NO:

ORDER NO:

| OUTPUT | POLE | SYN. SPEED | VOLT. | FREQ | TIME RATING | MODEL    | FRAME NO. |
|--------|------|------------|-------|------|-------------|----------|-----------|
|        |      |            |       |      | CONT.       | TEFC-DXX | 364TSC    |

- \* CLASS I , DIVISION I , GROUP D
- \* CLASS II , DIVISION I , GROUP E, F & G



| FLANGE |       |      |       |         | C     | AG    | AH   | P+2T  | AC    |  |  |  |
|--------|-------|------|-------|---------|-------|-------|------|-------|-------|--|--|--|
| AJ     | AK    | BB   | BD    | BF      |       |       |      |       |       |  |  |  |
| 11.000 | 12.50 | 0.25 | 14.00 | 5/8-11" | 32.08 | 28.58 | 3.50 | 25.30 | 14.80 |  |  |  |

| SHAFT EXTENSION |       |      | KEY   |       |        | KEYSEAT<br>R | TERMINAL BOX |       | APPROX WEIGHT |
|-----------------|-------|------|-------|-------|--------|--------------|--------------|-------|---------------|
| N-W             | U     | V    | WIDTH | THICK | LENGTH |              | AA           | AB    |               |
| 3.75            | 1.875 | 3.50 | 0.500 | 0.500 | 2.03   | 1.591        | NPT3"        | 20.20 | 1074 lb       |

- NOTE: 1. TOLERANCE ON DIMENSION AK: +0.000.-0.003 inch  
 2. TOLERANCE ON DIMENSION U: +0.000.-0.001 inch  
 3. TOLERANCE OF DIMENSION R: +0.000.-0.015 inch  
 4. F CLASS INSULATION.

| BEARING NO. |        |
|-------------|--------|
| D.E.        | O.D.E. |
| 6312C3      | 6312C3 |

Preliminary Drawing for Reference Only

|                      |            |                      |  |
|----------------------|------------|----------------------|--|
| CERTIFIED BY : _____ |            | DATE : _____         |  |
| DESIGNED             | W. D. KUO  | DWG. NO: AS-003104   |  |
| CHECKED              | L. J. LEE  | 3RD ANGLE PROJECTION |  |
| APPROVED             | T. M. LIAO | DIMENSION IN inch    |  |

