

# OUTLINE 3-PHASE INDUCTION MOTOR

TOTALLY ENCLOSED FAN  
COOLED, SQUIRREL CAGE  
ROTOR

FILE NO:

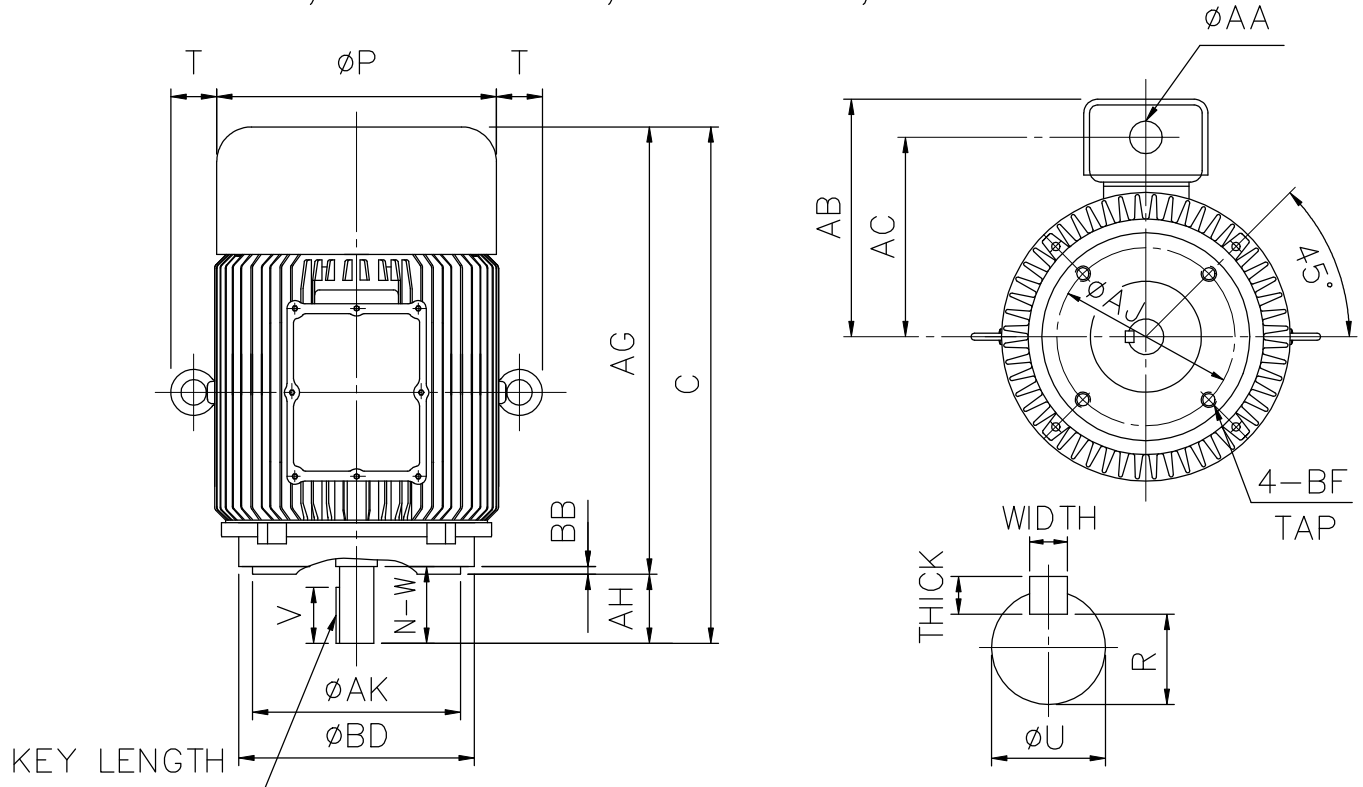
CUSTOMER:

PO. NO:

ORDER NO:

OUTPUT	POLE	SYN. SPEED	VOLT.	FREQ	TIME RATING	MODEL	FRAME NO.
					CONT.	TEFC-DXX	284TSC

- \* CLASS I , DIVISION I , GROUP D
- \* CLASS II , DIVISION I , GROUP E, F & G



FLANGE						C	P	T	AG	AH	P+2T	AC
AJ	AK	BB	BD	BF								
9.000	10.50	0.25	11.18	1/2"-13	26.84	17.36	2	23.83	3.01	21.36	13.10	

SHAFT EXTENSION			KEY			KEYSEAT R	TERMINAL BOX		APPROX WEIGHT
N-W	U	V	WIDTH	THICK	LENGTH		AA	AB	
3.25	1.625	3.20	0.375	0.375	1.910	1.416	NPT1 1/2"	17.52	580 lb

NOTE: 1. TOLERANCE ON DIMENSION AK: +0.000.-0.003 inch  
 2. TOLERANCE ON DIMENSION U: +0.000.-0.001 inch  
 3. TOLERANCE OF DIMENSION R: +0.000.-0.015 inch  
 4. F CLASS INSULATION.

BEARING NO.	
D.E.	O.D.E.
6310C3	6310C3

Preliminary Drawing for Reference Only

CERTIFIED BY :		DATE :	
DESIGNED	W. D. KUO	DWG. NO:	AS-975040
CHECKED	L. J. LEE	3RD ANGLE PROJECTION	
APPROVED	T. M. LIAO	DIMENSION IN inch	

