

# OUTLINE 3-PHASE INDUCTION MOTOR

TOTALLY ENCLOSED FAN  
COOLED, SQUIRREL CAGE  
ROTOR

FILE NO:

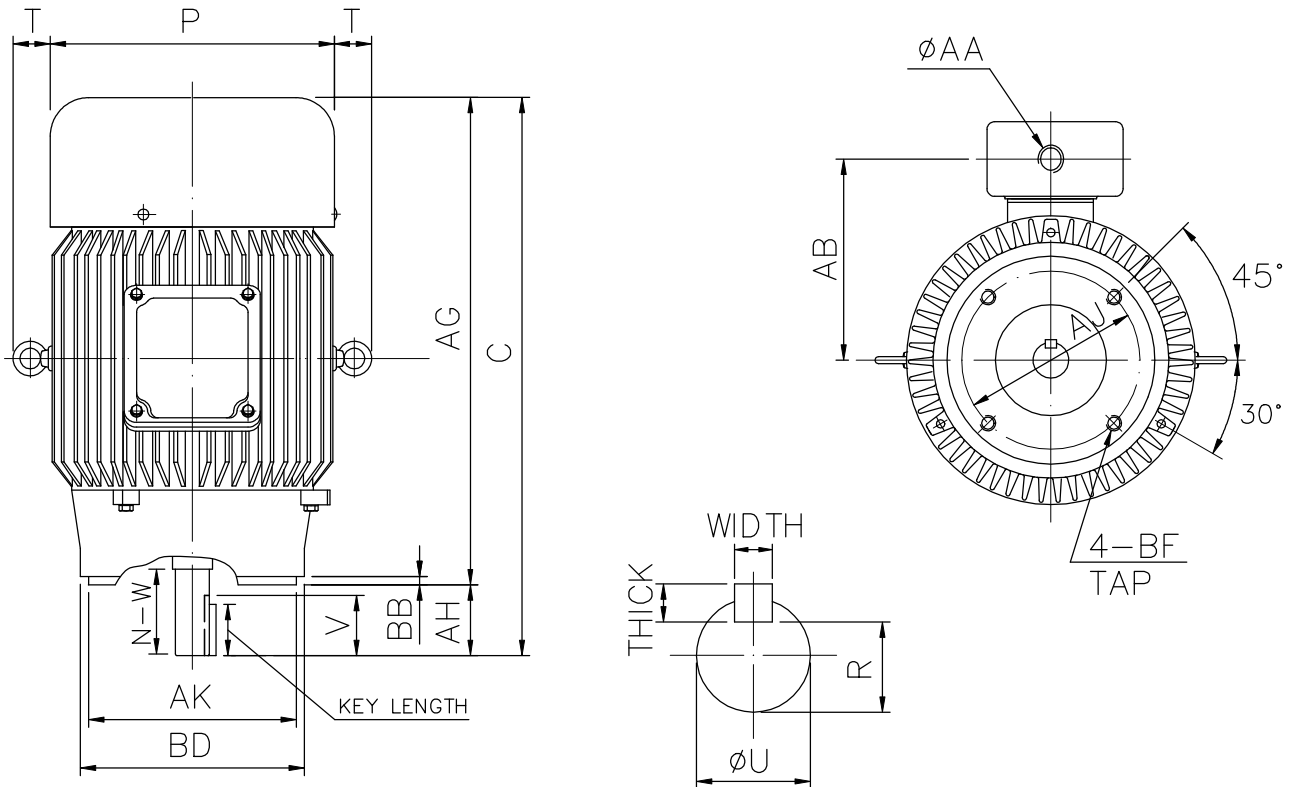
CUSTOMER:

PO. NO:

ORDER NO:

OUTPUT	POLE	SYN. SPEED	VOLT.	FREQ	TIME RATING	MODEL	FRAME NO.
					CONT.	TEFC-DXX	254TC

- \* CLASS I , DIVISION I , GROUP D
- \* CLASS II , DIVISION I , GROUP E, F & G



FLANGE					AG	AH	C	P+2T	SHAFT END		
AJ	AK	BB	BD	BF					N-W	U	V
7.250	8.50	0.25	10.00	1/2"-13	19.65	3.75	23.40	17.85	4.00	1.625	3.90

SHAFT END			KEYSEAT R	TERMINAL BOX		BEARING NO.		APPROX WEIGHT
WIDTH	THICK	LENGTH		AA	AB	D.E.	O.D.E.	
0.375	0.375	2.875	1.416	NPT1 1/4"	12.60	6310ZZ	6208ZZ	392 lb

- NOTE: 1. TOLERANCE ON DIMENSION AK: +0.000.-0.003 inch  
 2. TOLERANCE ON DIMENSION U: +0.000.-0.001 inch  
 3. TOLERANCE OF DIMENSION R: +0.000.-0.015 inch  
 4. F CLASS INSULATION.

Preliminary Drawing for Reference Only

CERTIFIED BY : \_\_\_\_\_ DATE : \_\_\_\_\_

DESIGNED W. D. KUO DWG. NO: AS-975033

CHECKED L. J. LEE 3RD ANGLE PROJECTION

APPROVED T. M. LIAO DIMENSIONS IN inch

