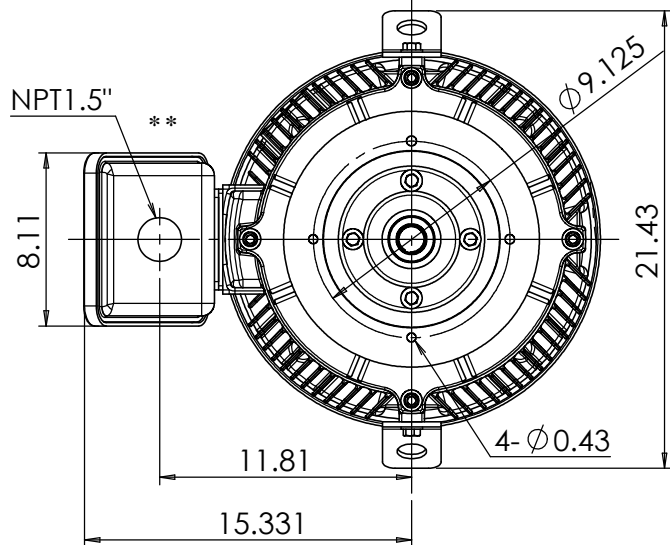
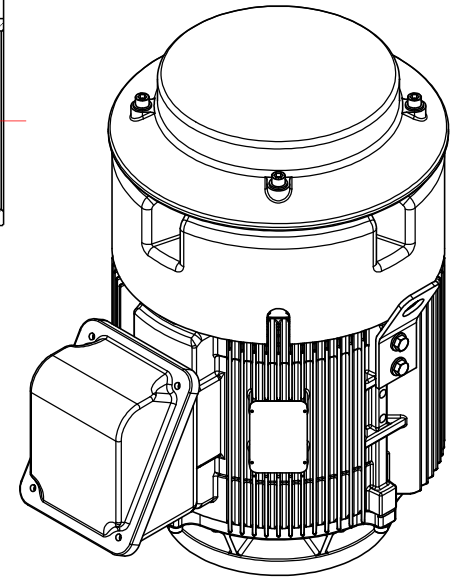
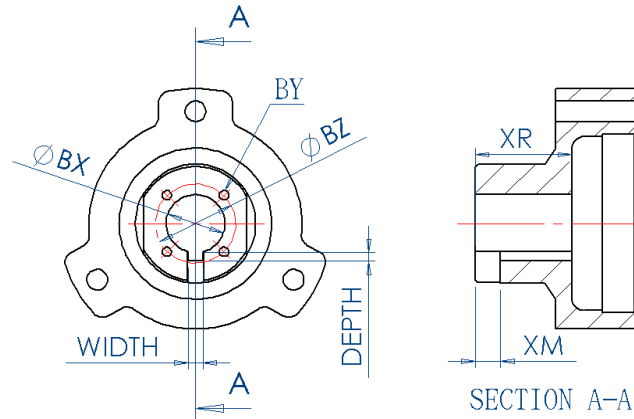


Coupling kits no.	BX	BY	BZ	XM	XR	KEYWAY	
						WIDTH	DEPTH
434-59234-91	1.001	10-32UNF	1.375	0.43	1.85	0.250	0.140
434-59234-92	1.188	1/4-20UNC	1.750				
434-59234-93	1.251						
434-59234-94	0.751	N/A				N/A	



FRAME 284TP12/286TP12  
 \* CLEARANCE TO HOLD  
 \*\* CONDUIT BOX CAN BE ROTATED IN STEP OF 90°  
 \*\*\*MAX. DOWN THRUST : 2P = 2500 lbs  
 4P = 3100 lbs  
 6P = 3550 lbs

OUTPUT HP	POLE	VOLT	FREQ.	SYN. R.P.M.	BEARING LOWER SIDE 6311ZZ UPPER SIDE 7311B	APPROX WEIGHT 630lb	FILE NO. : CUSTOMER : PO. NO. : ORDER NO. :
TYPE TEFC	FORM VHS	INS. CLASS F	RATING	FRAME 284/6TP	PROTECTION IP 56		
	△	REV MARK		APPROVED BY T.M.LIAO	CHECKED BY C.P.SU	TITLE <b>OUTLINE FOR THREE PHASE INDUCTION MOTOR</b>	
		DATE		SCALE	DESIGNED BY C.C.CHU	DRAWING BY C.C.CHU	
		APPROVED BY		UNIT inch			
		REVISED BY					
		CONTENT					
						DRAWING NO. AS-061062	REV.MARK 00