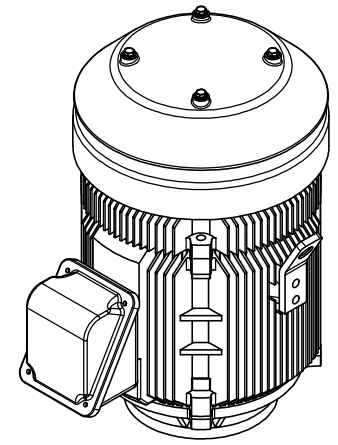
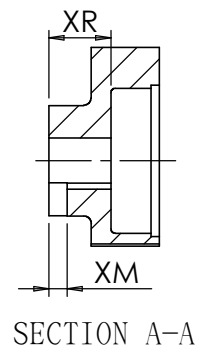
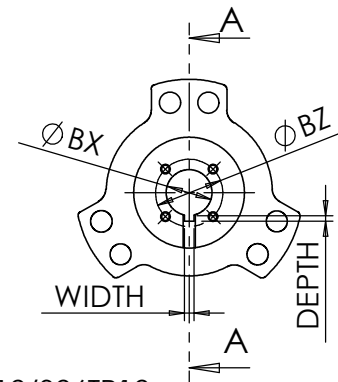


Coupling kits no.	BX	BY	BZ	XM	XR	KEYWAY	
						WIDTH	DEPTH
434-59235-91	1.001	10-32UNF	1.375	0.47	1.61	0.250	0.140
434-59235-92	1.188						
434-59235-93	1.251						
434-59235-94	1.251						
434-59235-95	1.438						
434-59235-96	1.501	1/4-20UNC	2.120			0.375	
434-59235-97	1.001					N/A	N/A



FRAME 324TP12/326TP12

* CLEARANCE TO HOLD

** CONDUIT BOX CAN BE ROTATED IN STEP OF 90°

***MAX. DOWN THRUST : 2P = 4350 lbs

4P = 4500 lbs

6P = 6450 lbs

OUTPUT HP	POLE	VOLT	FREQ.	SYN. R.P.M.	BEARING LOWER SIDE 6312ZZ UPPER SIDE 7219B	APPROX WEIGHT 1025lb	FILE NO. : CUSTOMER : PO. NO. : ORDER NO. :
TYPE TEFC	FORM VHS	INS. CLASS F	RATING	FRAME 324/6TP	PROTECTION IP 56		
REV. MARK		APPROVED BY T.M.LIAO		CHECKED BY C.P.SU		TITLE OUTLINE FOR THREE PHASE INDUCTION MOTOR	
DATE		DESIGNED BY C.C.CHU		DRAWING BY C.C.CHU			
APPROVED BY		SCALE inch					
REVISED BY		UNIT inch					
CONTENT		REVISION		DRAWING NO. AS-061063		REV.MARK 00	

