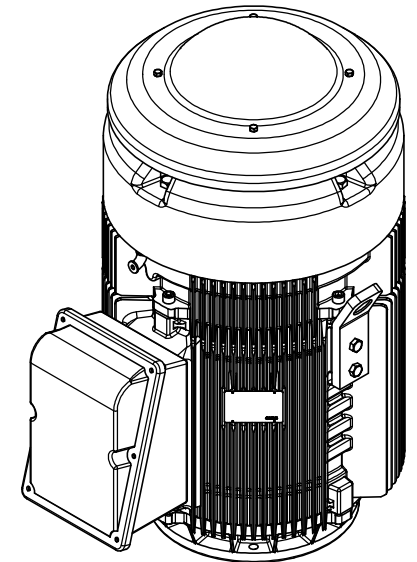
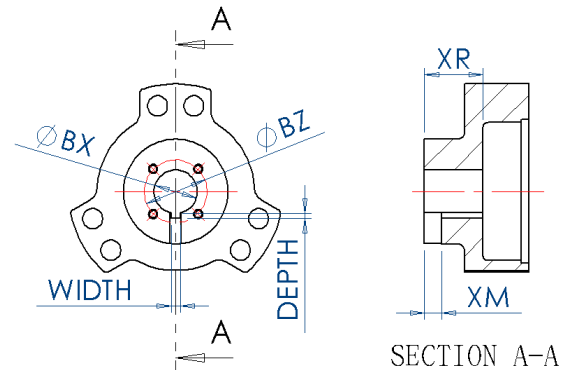


Coupling kits no.	BX	BY	BZ	XM	XR	KEYWAY	
						WIDTH	DEPTH
434-59237-91	1.188	1/4-20UNC	1.750	0.63	2.22	0.250	0.140
434-59237-92	1.501		2.120			0.375	0.203
434-59237-93	1.688		2.500			0.375	0.203
434-59237-94	1.751						
434-59237-95	1.938						
434-59235-96	1.188	N/A	N/A		N/A	N/A	



FRAME 404TP16/405TP16

* CLEARANCE TO HOLD

** CONDUIT BOX CAN BE ROTATED IN STEP OF 90°

***MAX. DOWN THRUST : 4P = 9200 lbs

6P = 8250 lbs

OUTPUT HP	POLE	VOLT	FREQ.	SYN. R.P.M.	BEARING LOWER SIDE 6314ZZ UPPER SIDE 7222DT	APPROX WEIGHT 1870lb	FILE NO. : CUSTOMER : PO. NO. : ORDER NO. :
TYPE TEFC	FORM VHS	INS. CLASS F	RATING	FRAME 404/5TP	PROTECTION IP 56		
	△	REV MARK		APPROVED BY T.M.LIAO	CHECKED BY C.P.SU	TITLE OUTLINE FOR THREE PHASE INDUCTION MOTOR	
		DATE		SCALE	DESIGNED BY C.C.CHU	DRAWING BY C.C.CHU	
		APPROVED BY		UNIT inch			
		REVISED BY					
		CONTENT				DRAWING NO. AS-061065	REV.MARK (00)