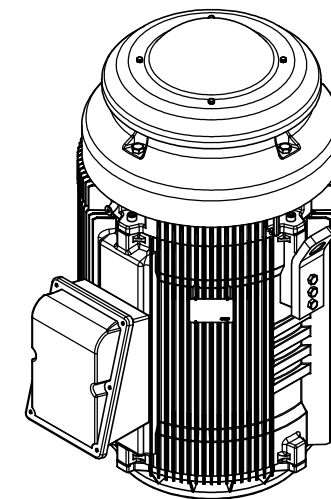
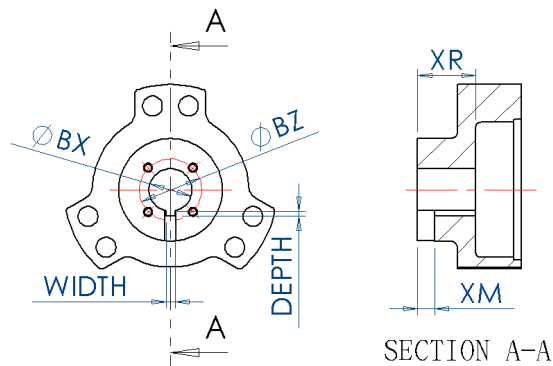


Coupling kits no.	BX	BY	BZ	XM	XR	KEYWAY	
						WIDTH	DEPTH
D34-02072-92	1.501	1/4-20UNC	2.125	0.63	2.20	0.375	0.140
D34-02072-93	1.688		2.500				0.203
D34-02072-94	1.938		3/8-16UNC			3.250	0.222
D34-02072-95	2.001	0.500					
D34-02072-96	2.188					N/A	N/A
D34-02072-97	2.251	N/A	N/A				
D34-02072-91	1.501			N/A	N/A		



FRAME 447TP16

\* CLEARANCE TO HOLD

\*\* CONDUIT BOX CAN BE ROTATED IN STEP OF 90°

\*\*\*MAX. DOWN THRUST : 4P = 11500 lbs

6P = 14500 lbs

OUTPUT HP	POLE	VOLT	FREQ.	SYN. R.P.M.	BEARING LOWER SIDE	APPROX WEIGHT	FILE NO. :	
					6218ZZ <td>2880lb</td> <td>CUSTOMER :</td>	2880lb	CUSTOMER :	
TYPE	FORM	INS. CLASS	RATING	FRAME	PROTECTION	UPPER SIDE	PO. NO. :	
TEFC	VHS	F		447TP	IP 56	7230DT	ORDER NO. :	
	△	REV MARK		APPROVED BY	CHECKED BY	TITLE		
		DATE		T.M.LIAO	C.P.SU	OUTLINE FOR THREE PHASE INDUCTION MOTOR		
		APPROVED BY		DESIGNED BY	DRAWING BY	DRAWING NO.		
		REVISED BY		C.C.CHU	C.C.CHU	AS-061067		
		CONTENT		SCALE	UNIT	REV.MARK		
				inch		00		
					DRAWING NO.			REV.MARK
					AS-061067			00