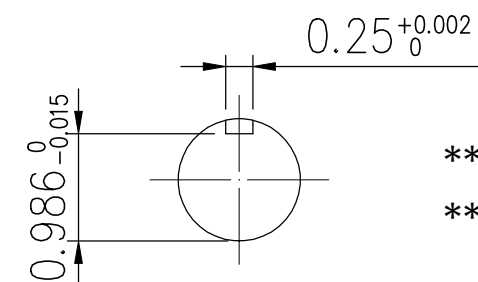
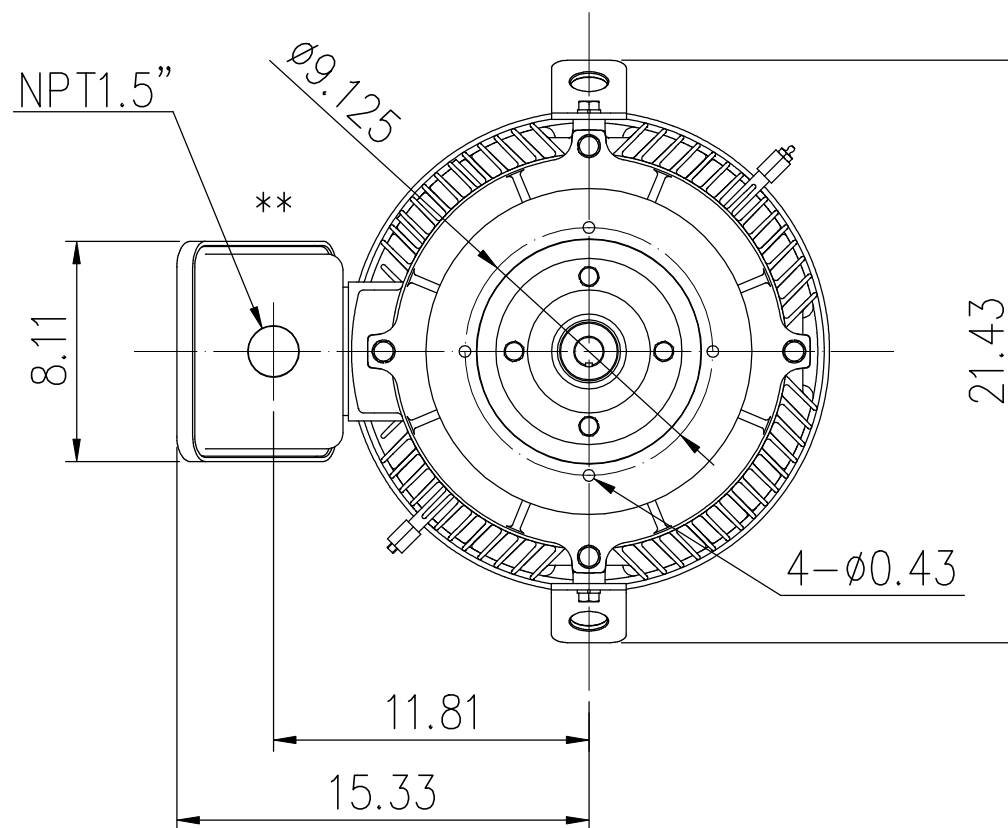
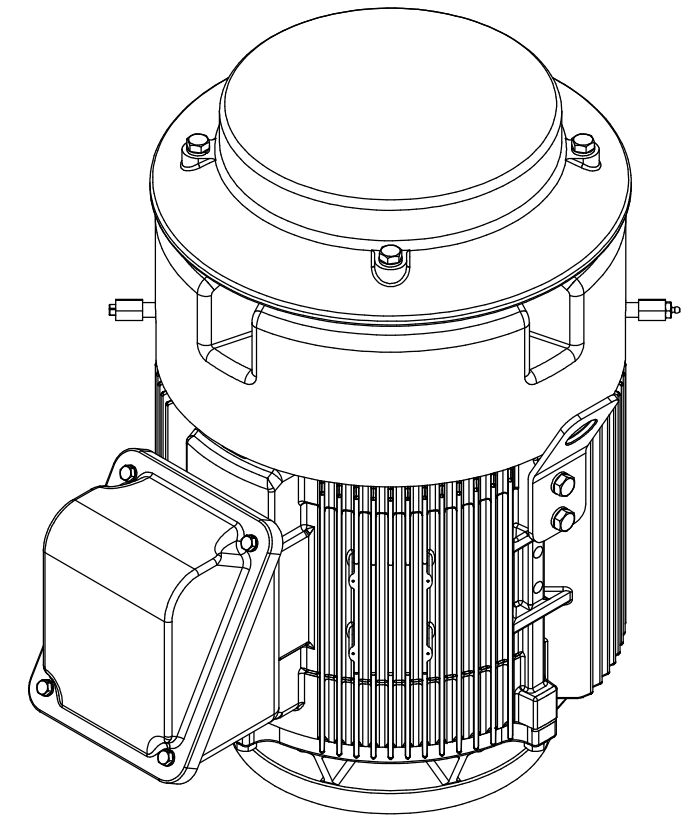
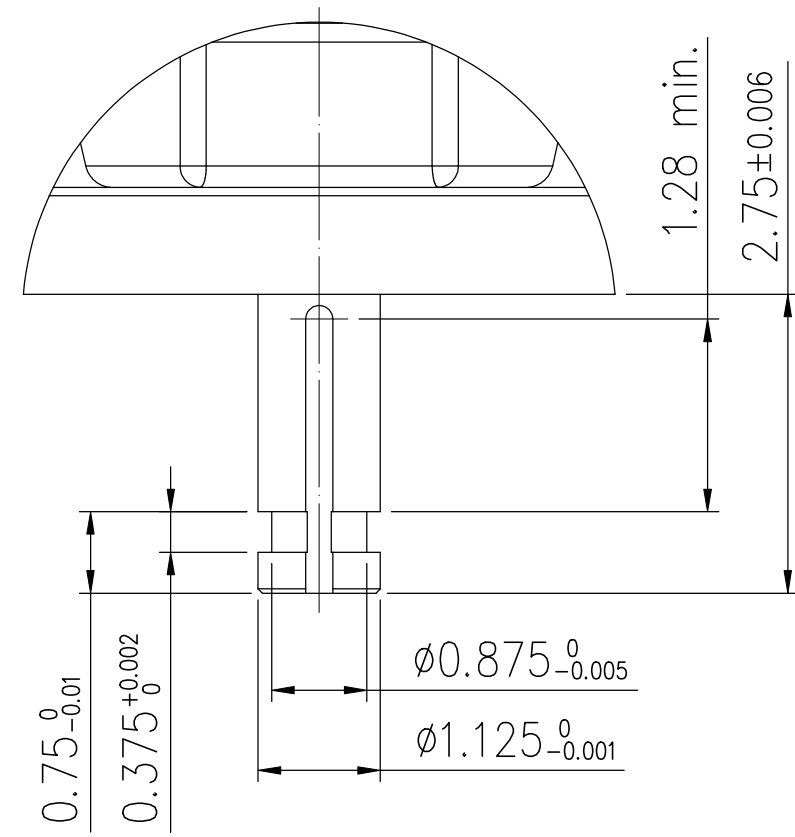
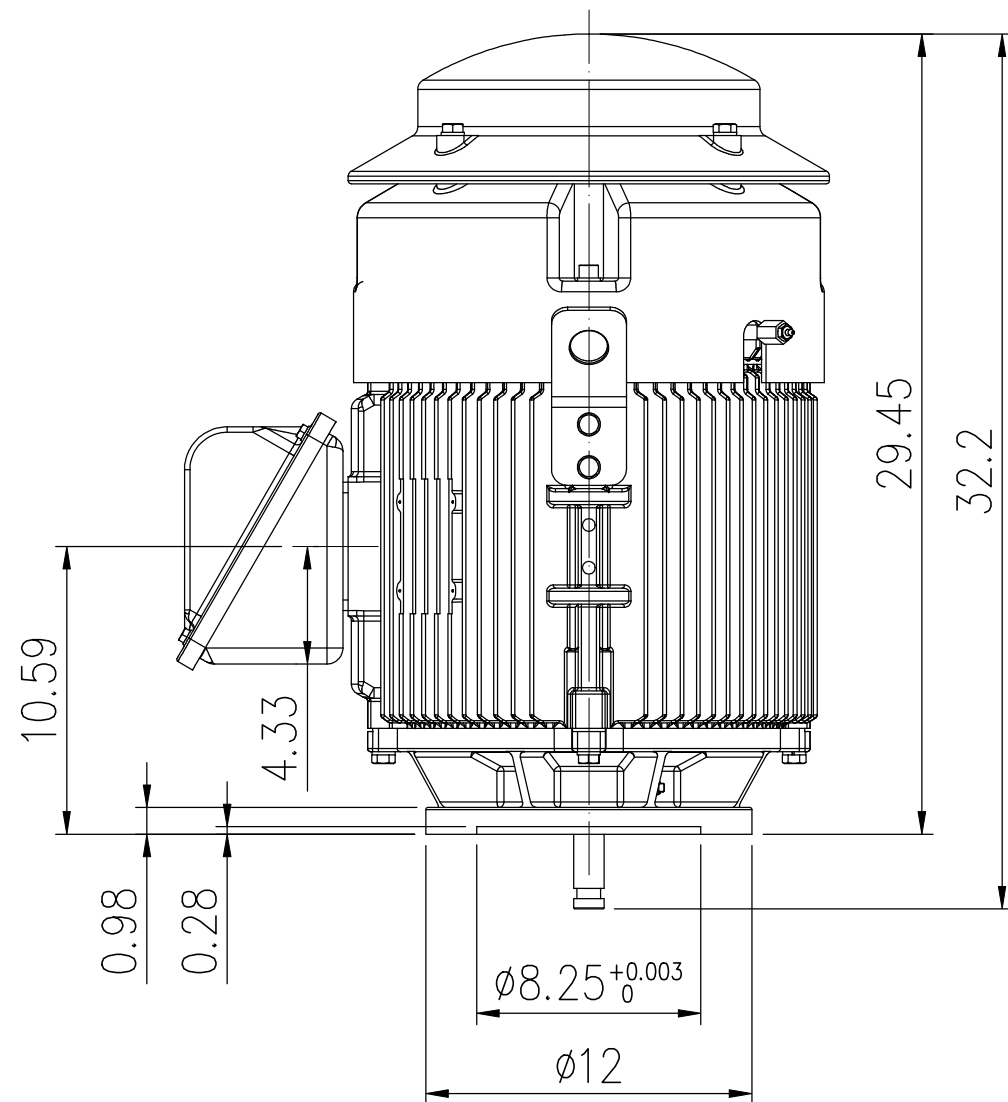


Preliminary Drawing, For Reference Only.
 FRAME 284VP12/286VP12



** CONDUIT BOX CAN BE ROTATED IN STEP OF 90°
 ***MAX. DOWN THRUST : 2P = 2500 lbs
 4P = 3100 lbs
 6P = 3550 lbs

OUTPUT HP	POLE	VOLT	FREQ.	SYN. R.P.M.	BEARING LOWER SIDE 6311ZZ	APPROX WEIGHT 630 lb	FILE NO. :
TYPE TEFC	FORM VSS	INS. CLASS F	RATING	FRAME 284/6VP	PROTECTION IP56	BEARING UPPER SIDE 7311B	CUSTOMER :
	△	REV MARK		APPROVED BY T.M.LIAO	CHECKED BY C.P.SU	TITLE OUTLINE FOR THREE PHASE INDUCTION MOTOR	
		DATE		DESIGNED BY C.C.CHU	DRAWING BY C.C.CHU		
		APPROVED BY	SCALE	UNIT		DRAWING NO.	
		REVISED BY	inch	TATUNG		AS-061112	
		CONTENT				REV.MARK 00	