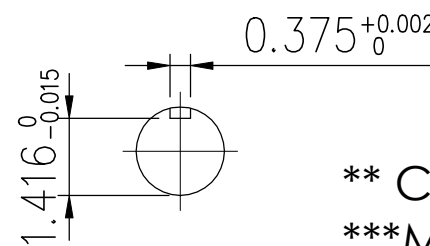
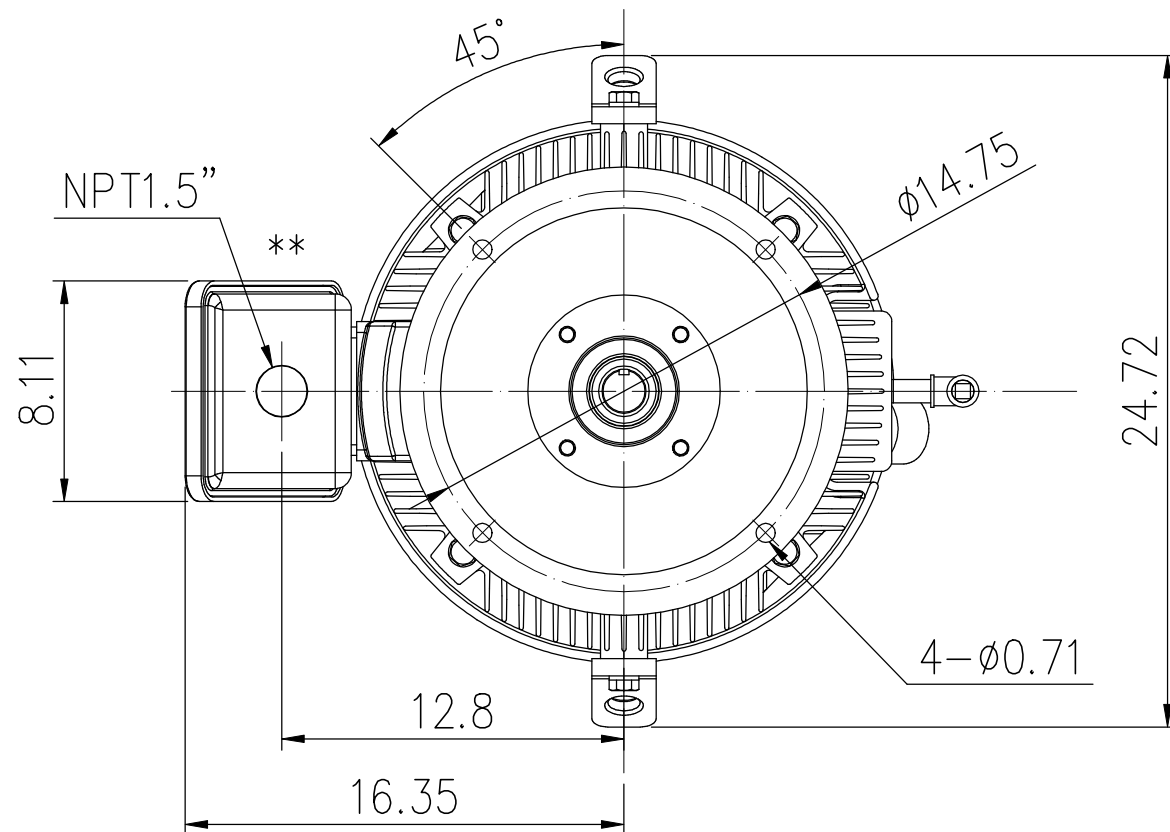
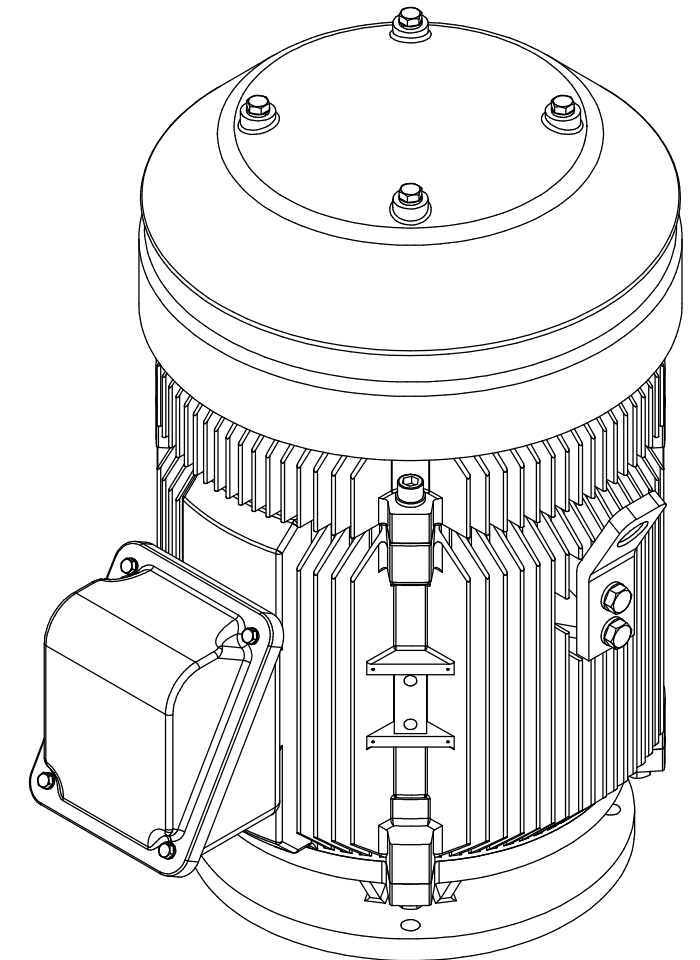
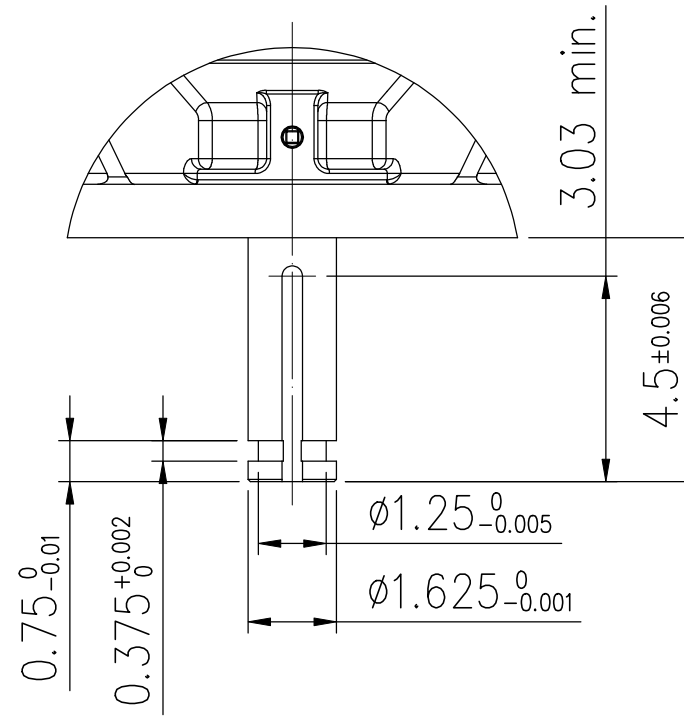
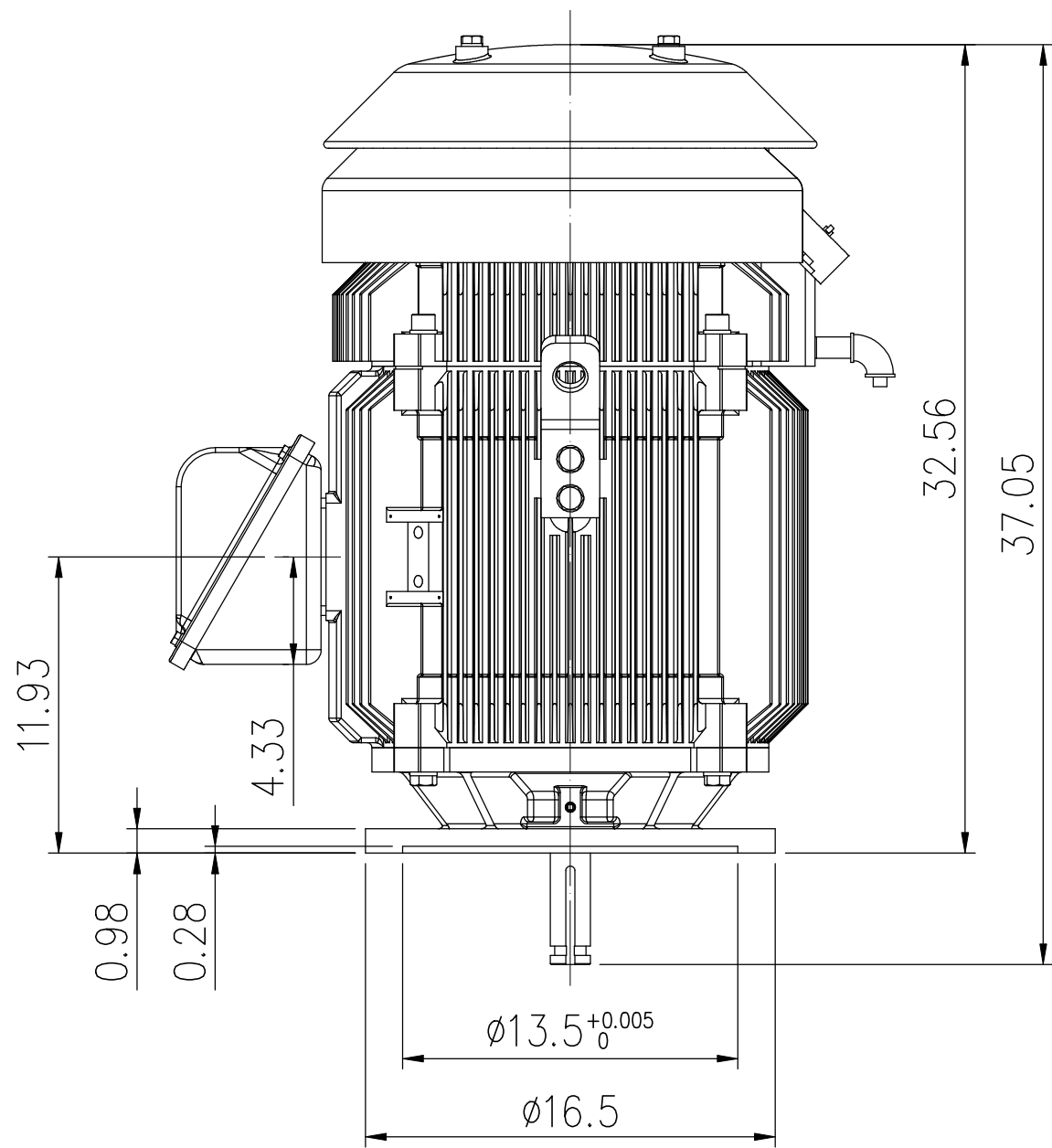


Preliminary Drawing, For Reference Only.
 FRAME 324VP16/326VP16



** CONDUIT BOX CAN BE ROTATED IN STEP OF 90°
 ***MAX. DOWN THRUST : 2P = 4350 lbs
 4P = 4500 lbs
 6P = 6450 lbs

OUTPUT HP	POLE	VOLT	FREQ.	SYN. R.P.M.	BEARING LOWER SIDE 6312ZZ	APPROX WEIGHT 1025 lb	FILE NO. :
TYPE TEFC	FORM VSS	INS. CLASS F	RATING	FRAME 324/6VP	PROTECTION IP56	BEARING UPPER SIDE 7219B	CUSTOMER :
							PO. NO. :
							ORDER NO. :
	△	REV MARK		APPROVED BY T.M.LIAO	CHECKED BY C.P.SU	TITLE OUTLINE FOR THREE PHASE INDUCTION MOTOR	
		DATE		DESIGNED BY C.C.CHU	DRAWING BY C.C.CHU		
		APPROVED BY	SCALE	UNIT			
		REVISED BY	inch				
		CONTENT				DRAWING NO. AS-061113	REV.MARK 00

