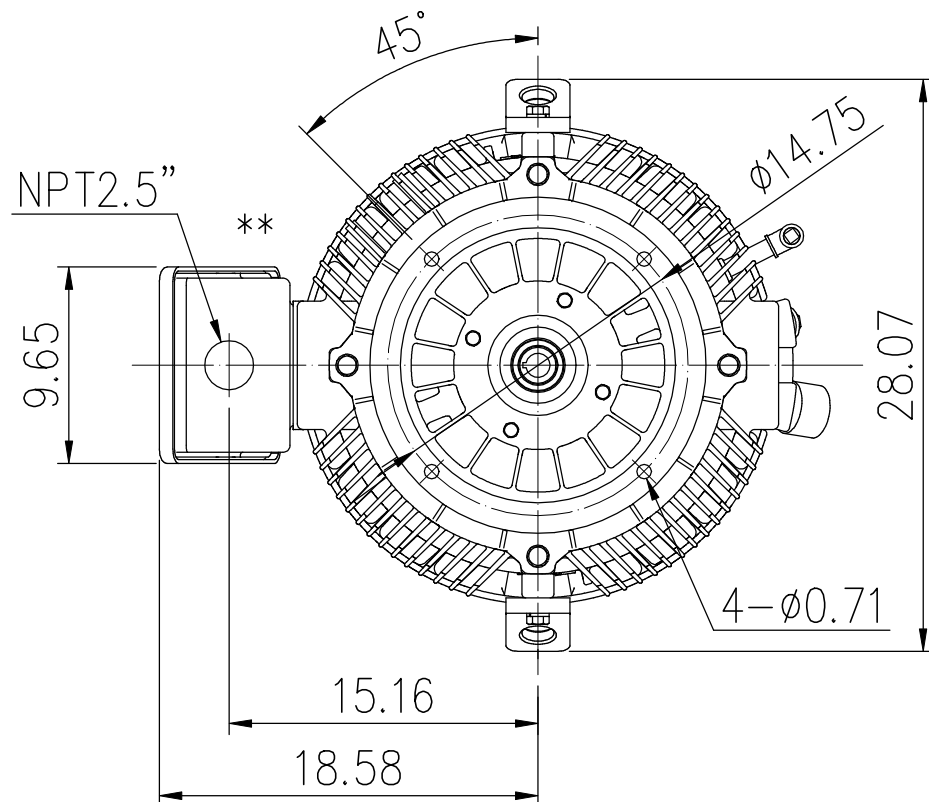
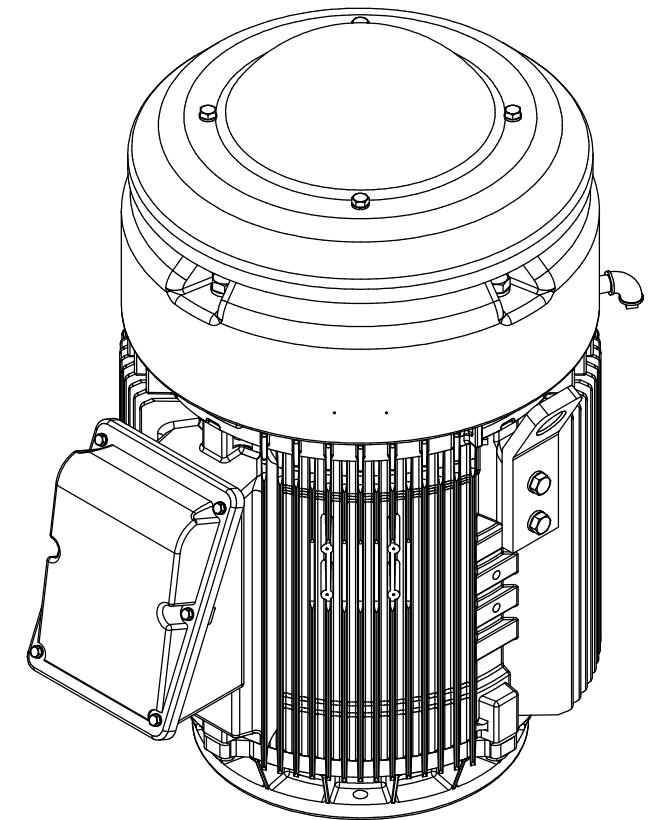
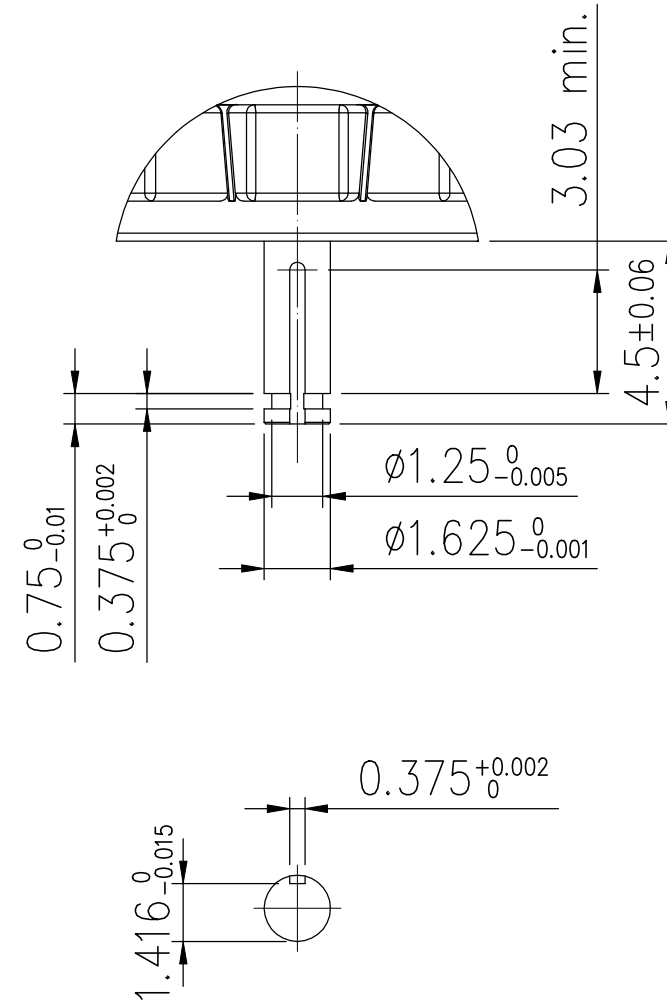
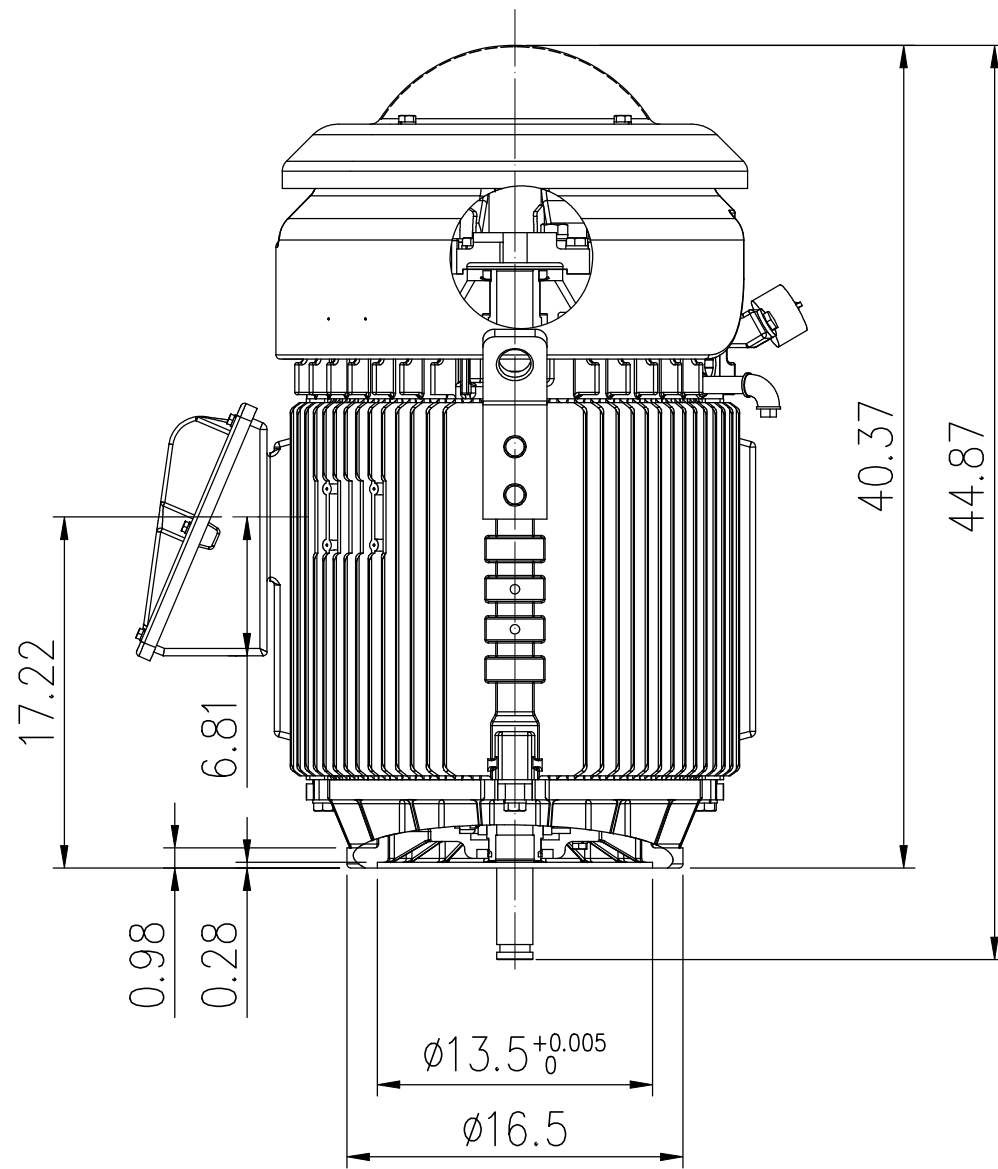


Preliminary Drawing, For Reference Only.
 FRAME 364VP16/365VP16



** CONDUIT BOX CAN BE ROTATED IN STEP OF 90°

***MAX. DOWN THRUST : 2P = 6400 lbs
 4P = 8050 lbs
 6P = 9300 lbs

OUTPUT HP	POLE	VOLT	FREQ.	SYN. R.P.M.	BEARING LOWER SIDE 6314ZZ UPPER SIDE 7319B	APPROX WEIGHT 1480 lb	FILE NO. : CUSTOMER : PO. NO. : ORDER NO. :
TYPE TEFC	FORM VSS	INS. CLASS F	RATING	FRAME 364/5VP	PROTECTION IP56		
	△	REV MARK		APPROVED BY T.M.LIAO	CHECKED BY C.P.SU	TITLE OUTLINE FOR THREE PHASE INDUCTION MOTOR	
		DATE		DESIGNED BY C.C.CHU	DRAWING BY C.C.CHU		
		APPROVED BY	SCALE	UNIT	inch		
		REVISED BY					
		CONTENT				DRAWING NO. AS-061114	REV.MARK 00

