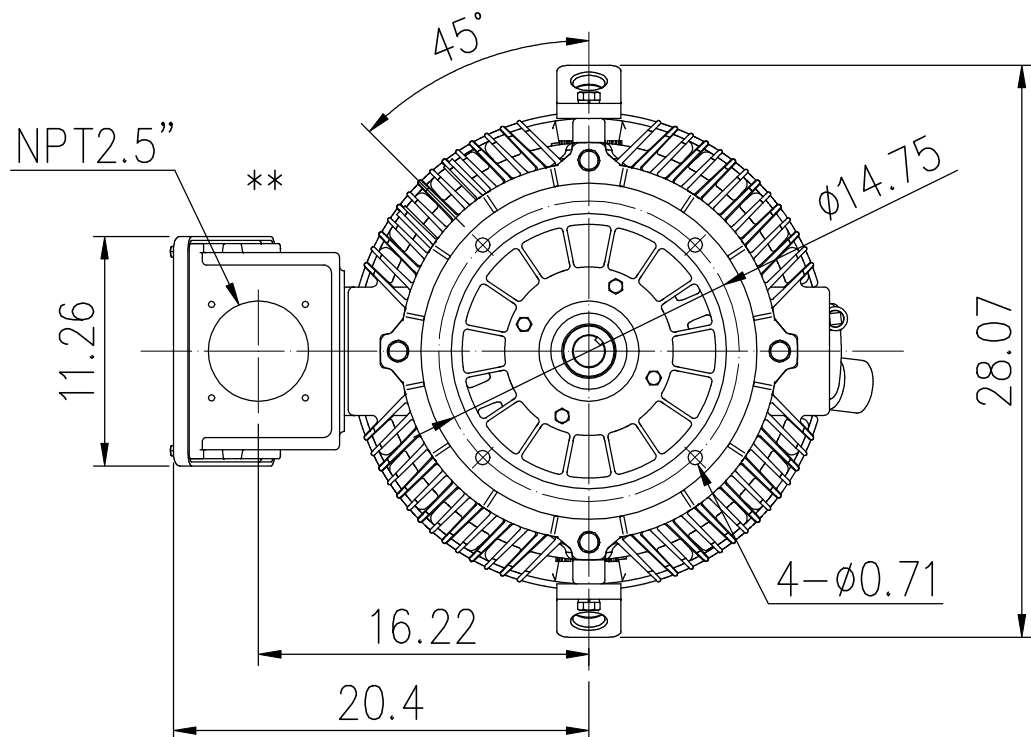
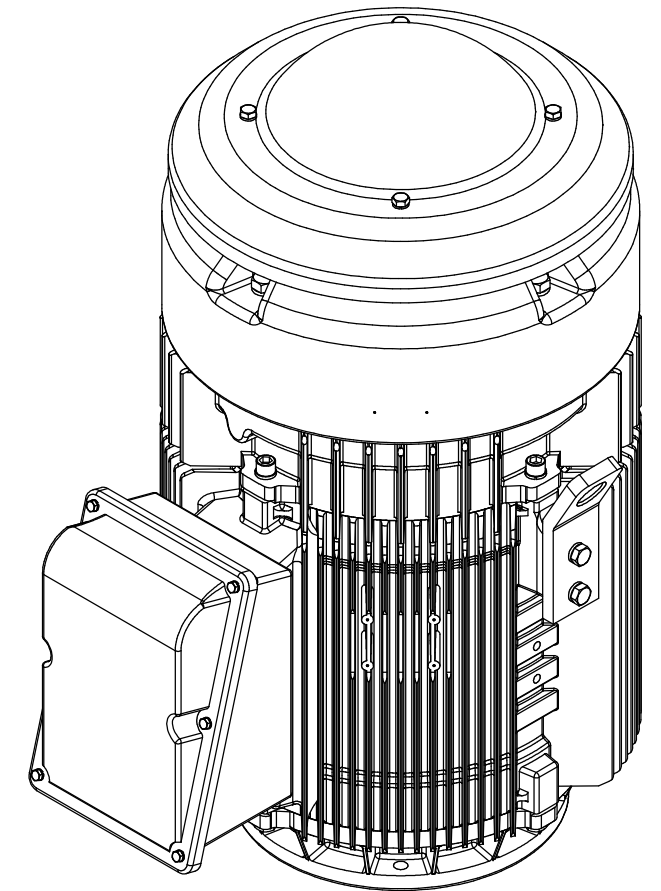
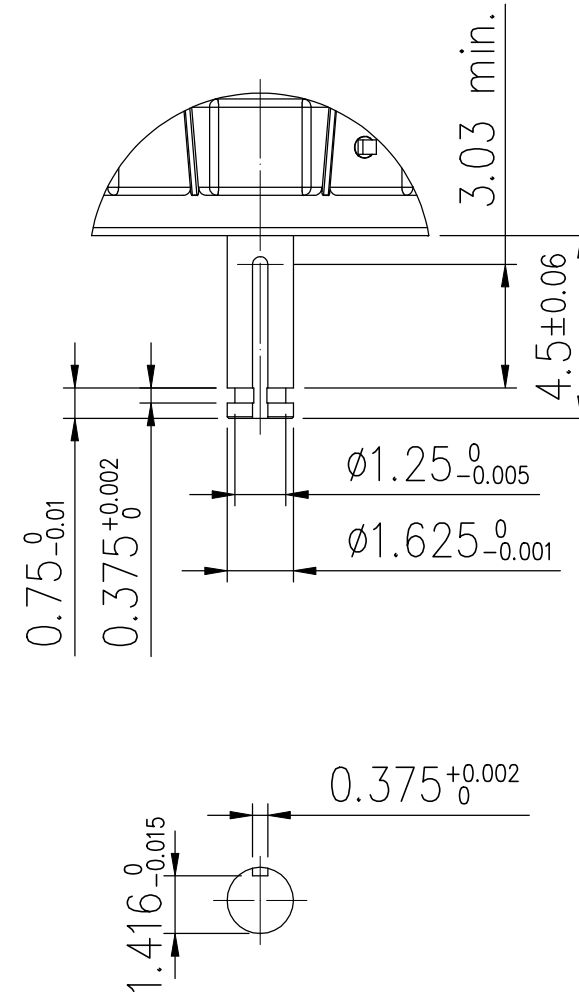
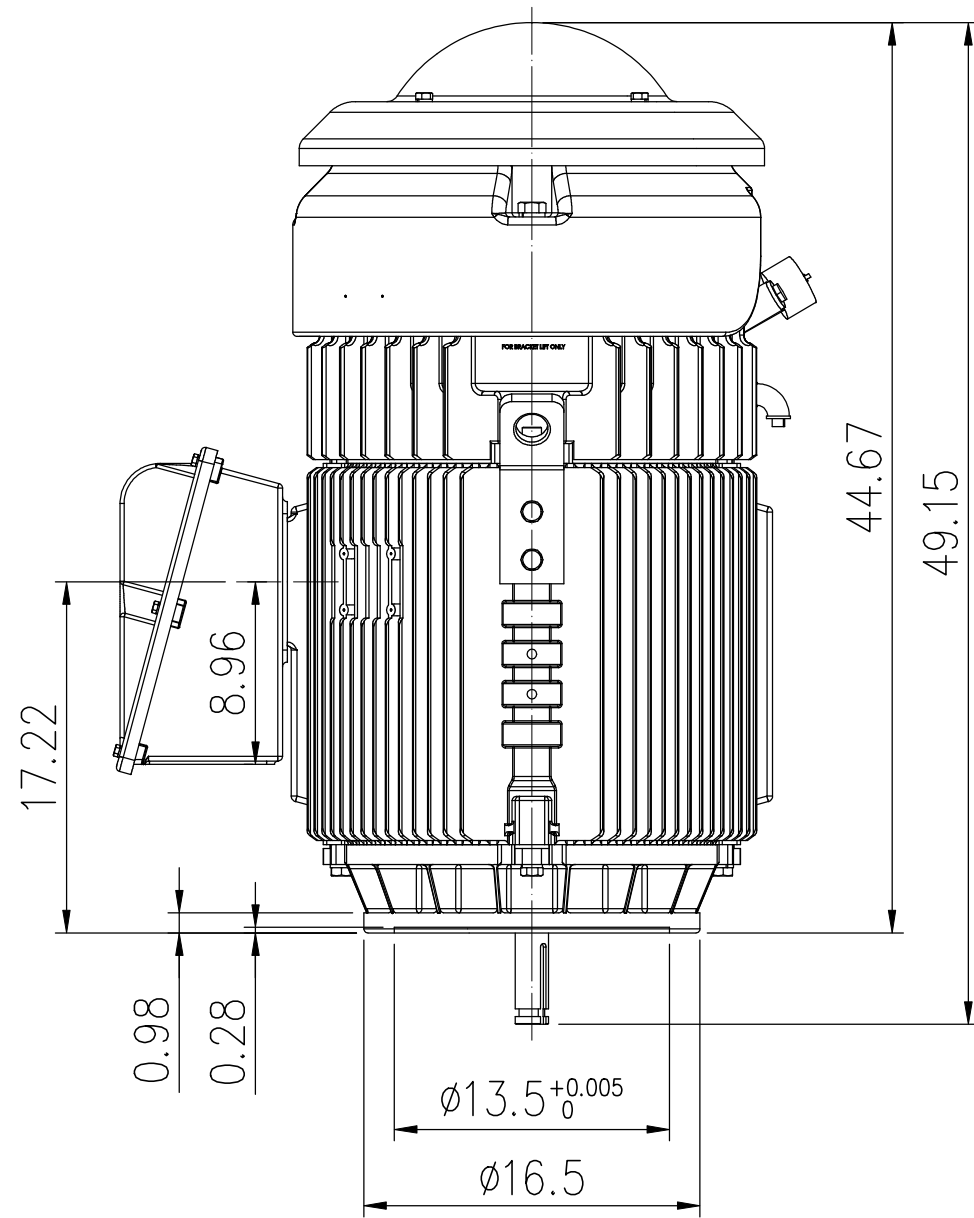


Preliminary Drawing, For Reference Only.
 FRAME 404VP16/405VP16



** CONDUIT BOX CAN BE ROTATED IN STEP OF 90°

***MAX. DOWN THRUST : 4P = 9200 lbs

6P = 8250 lbs

OUTPUT HP	POLE	VOLT	FREQ.	SYN. R.P.M.	BEARING LOWER SIDE 6314ZZ UPPER SIDE 7222DT	APPROX WEIGHT 1870 lb	FILE NO. : CUSTOMER : PO. NO. : ORDER NO. :
TYPE TEFC	FORM VSS	INS. CLASS F	RATING	FRAME 404/5VP	PROTECTION IP56		
	△	REV MARK	APPROVED BY T.M.LIAO	CHECKED BY C.P.SU	TITLE OUTLINE FOR THREE PHASE INDUCTION MOTOR		
		DATE	DESIGNED BY C.C.CHU	DRAWING BY C.C.CHU			
		APPROVED BY	SCALE	UNIT			
		REVISED BY	inch				
		CONTENT				DRAWING NO. AS-061115	REV.MARK 00