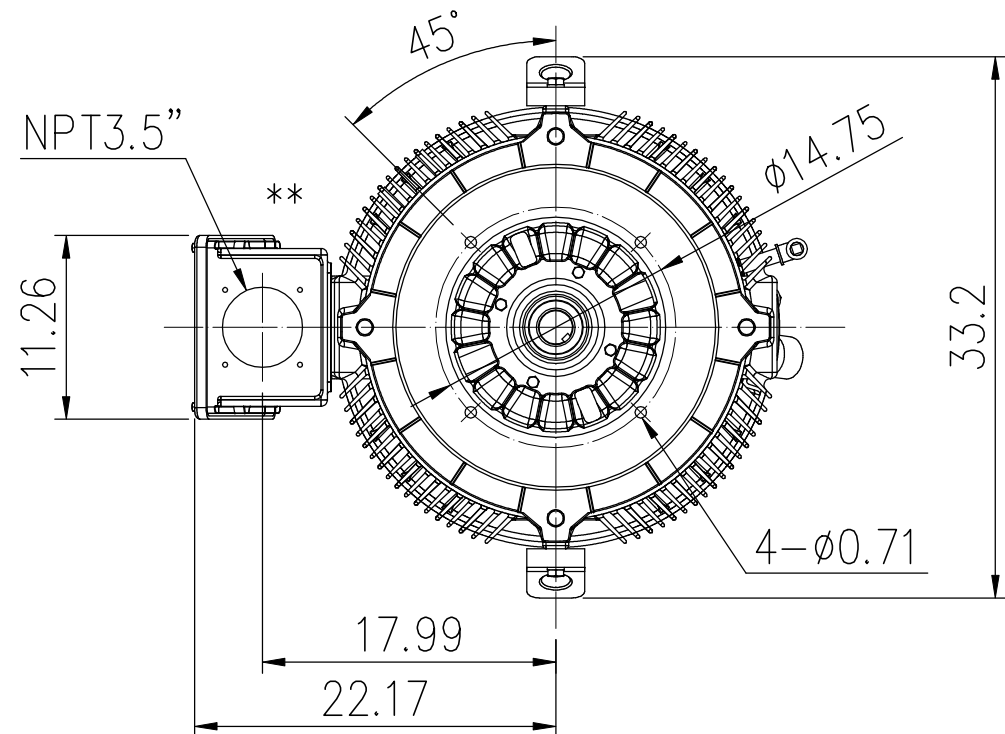
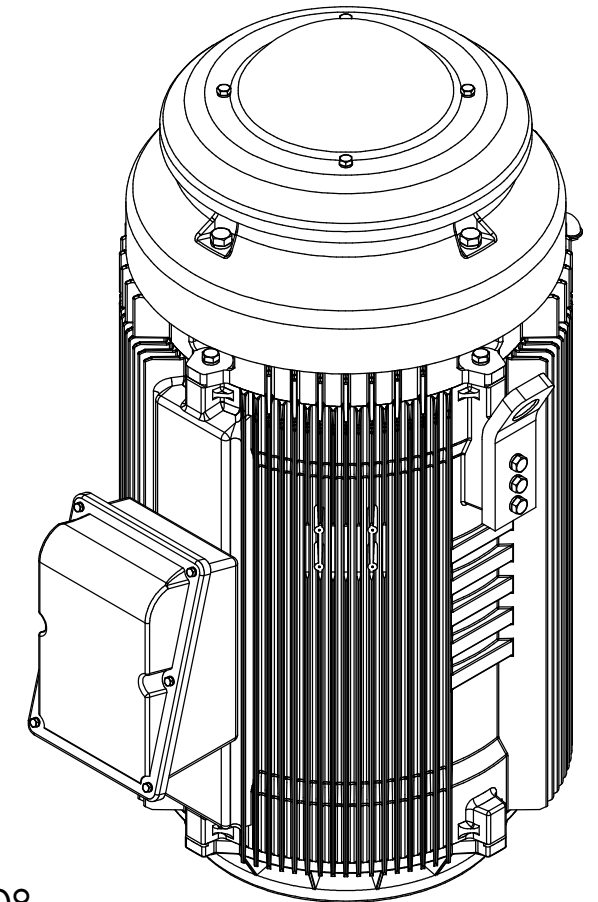
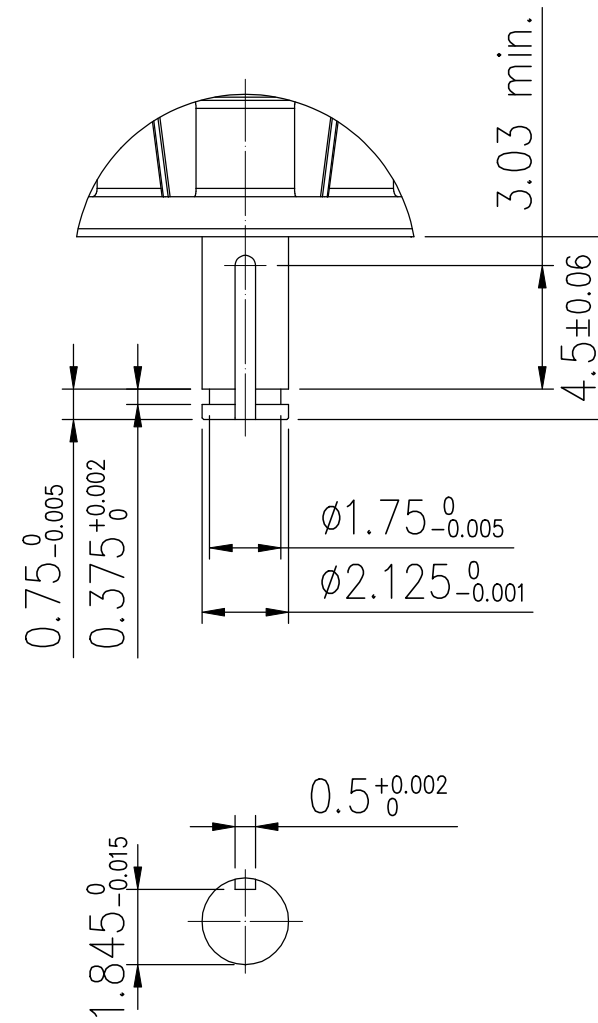
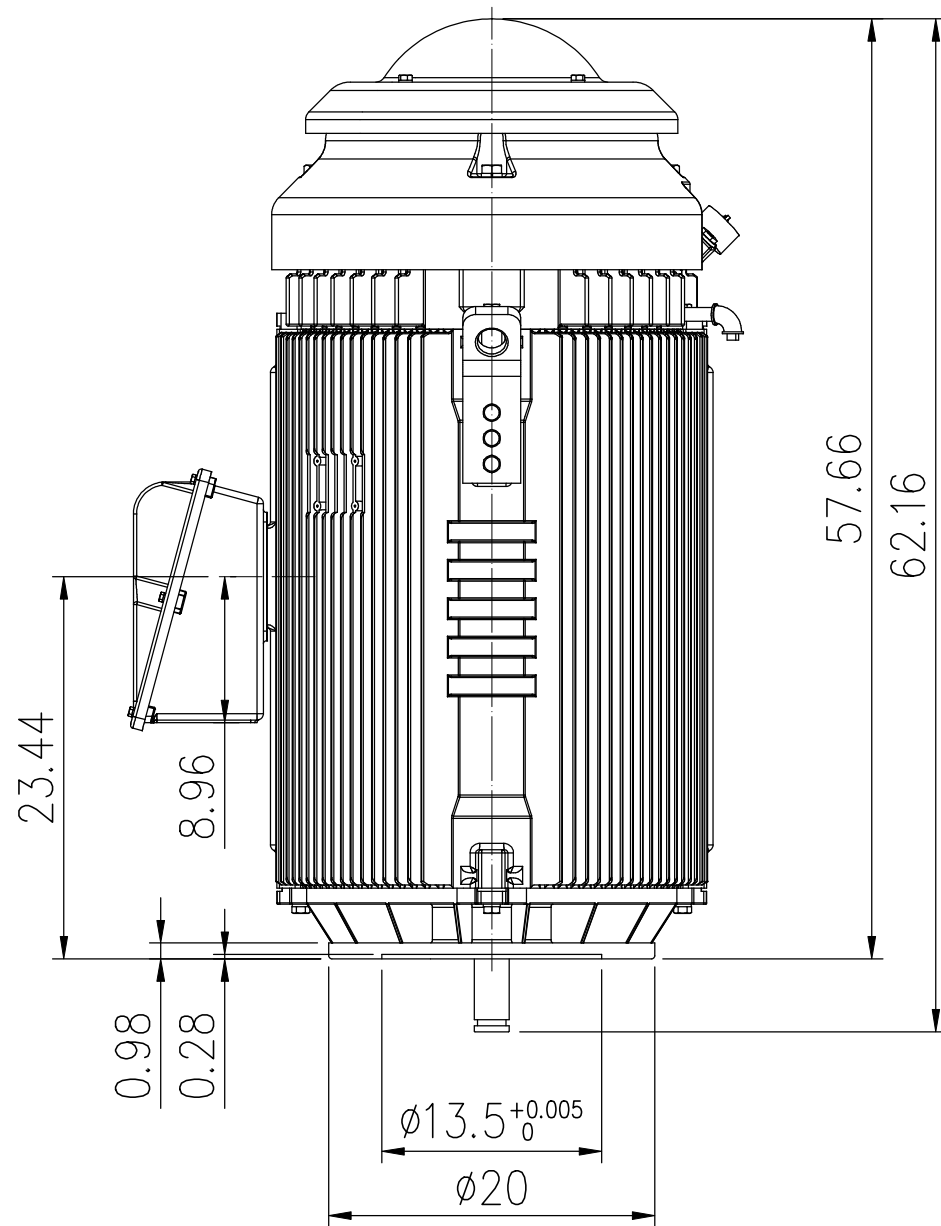


Preliminary Drawing, For Reference Only.

FRAME 449VP20



\*\* CONDUIT BOX CAN BE ROTATED IN STEP OF 90°

\*\*\*MAX. DOWN THRUST : 4P = 11200 lbs

6P = 14000 lbs

OUTPUT HP	POLE	VOLT	FREQ.	SYN. R.P.M.	BEARING LOWER SIDE 6218ZZ UPPER SIDE 7230DT	APPROX WEIGHT 3200 lb	FILE NO. :
TYPE TEFC	FORM VSS	INS. CLASS F	RATING	FRAME 449VP	PROTECTION IP56		CUSTOMER :
							PO. NO. :
							ORDER NO. :
	△	REV MARK		APPROVED BY T.M.LIAO	CHECKED BY C.P.SU	TITLE	
		DATE		DESIGNED BY C.C.CHU	DRAWING BY C.C.CHU	OUTLINE FOR THREE PHASE INDUCTION MOTOR	
		APPROVED BY	SCALE				
		REVISED BY	UNIT	inch			
		CONTENT					
						DRAWING NO.	REV.MARK
						AS-061118	00