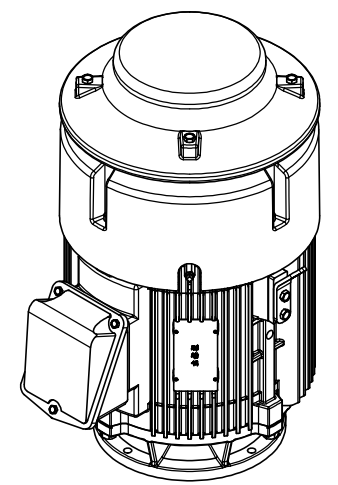
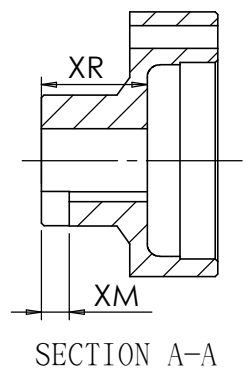
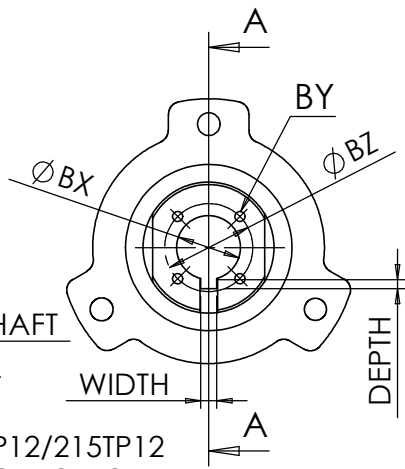


| Coupling kits no. | BX | BY | BZ | XM | XR | KEYWAY | |
|-------------------|-------|-----------|-------|------|------|--------|-------|
| | | | | | | WIDTH | DEPTH |
| 434-59233-96 | 0.751 | 10-32UNF | 1.375 | 0.43 | 1.65 | 0.188 | 0.109 |
| 434-59233-95 | 0.876 | | | | | 0.250 | 0.140 |
| 434-59233-91 | 1.001 | | | | | | |
| 434-59233-92 | 1.188 | 1/4-20UNC | 1.750 | | | | |
| 434-59233-93 | 1.251 | | | | | | |
| 434-59233-94 | 0.751 | N/A | | | | N/A | |



FRAME 213TP12/215TP12
 * CLEARANCE TO HOLD
 ** CONDUIT BOX CAN BE ROTATED IN STEP OF 90°
 ***MAX. DOWN THRUST 2P: 1800 lbs
 4P: 2300 lbs
 6P: 2600 lbs

| | | | | | | | |
|--------------|-------------|-------------------------|--------|-----------------------|--|---|--|
| OUTPUT HP | POLE | VOLT | FREQ. | SYN. R.P.M. | BEARING LOWER SIDE 6209ZZ UPPER SIDE 7309B | APPROX WEIGHT 310 lb | FILE NO. : CUSTOMER : PO. NO. : ORDER NO. : |
| TYPE TEFC | FORM VHS | INS. CLASS F | RATING | FRAME 213/5TP | PROTECTION IP 56 | TITLE OUTLINE FOR THREE PHASE INDUCTION MOTOR | |
| REV. MARK | | APPROVED BY T.M.LIAO | | CHECKED BY C.P.SU | | DRAWING NO. AS-071378 | |
| DATE | | DESIGNED BY J.J.SYU | | DRAWING BY J.J.SYU | | REV.MARK 00 | |
| APPROVED BY | | SCALE inch | | UNIT | | DRAWING NO. AS-071378 | |
| REVISED BY | | TATUNG | | DRAWING BY J.J.SYU | | REV.MARK 00 | |
| CONTENT | | TATUNG | | DRAWING BY J.J.SYU | | REV.MARK 00 | |