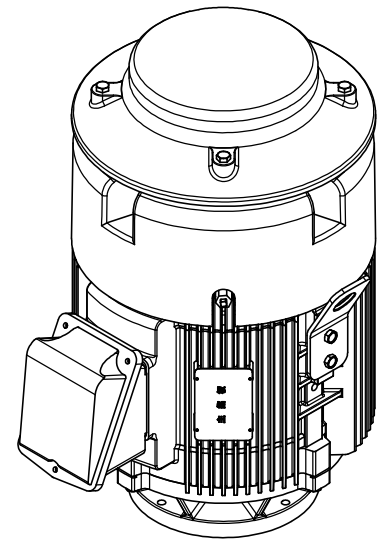
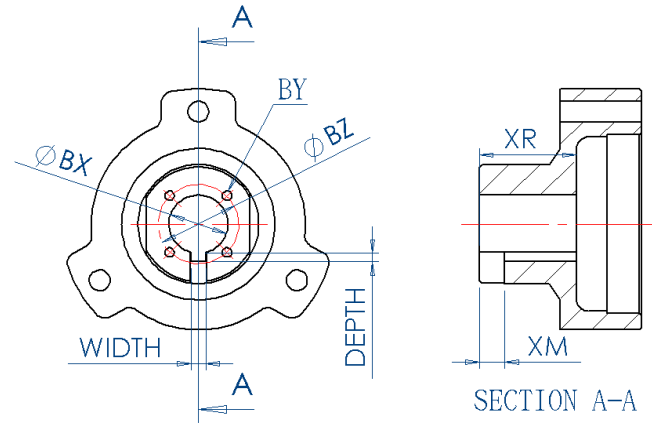


Coupling kits no.	BX	BY	BZ	XM	XR	KEYWAY	
						WIDTH	DEPTH
434-59233-96	0.751	10-32UNF	1.375	0.43	1.65	0.188	0.109
434-59233-95	0.876					0.250	0.140
434-59233-91	1.001						
434-59233-92	1.188	1/4-20UNC	1.750				
434-59233-93	1.251						
434-59233-94	0.751	N/A				N/A	



FRAME 254TP12/256TP12
 * CLEARANCE TO HOLD
 ** CONDUIT BOX CAN BE ROTATED IN STEP OF 90°
 ***MAX. DOWN THRUST : 2P = 2550 lbs
 4P = 3200 lbs
 6P = 3600 lbs

OUTPUT HP	POLE	VOLT	FREQ.	SYN. R.P.M.	BEARING LOWER SIDE 6309ZZ UPPER SIDE 7311B	APPROX WEIGHT 480lb	FILE NO. : CUSTOMER : PO. NO. : ORDER NO. :
TYPE TEFC	FORM VHS	INS. CLASS F	RATING	FRAME 254/6TP	PROTECTION IP 56		
	REV MARK	APPROVED BY T.M.LIAO	CHECKED BY C.P.SU	TITLE OUTLINE FOR THREE PHASE INDUCTION MOTOR			
	DATE	DESIGNED BY C.C.CHU	DRAWING BY C.C.CHU	DRAWING NO. AS-071379			
	APPROVED BY	UNIT inch	REV.MARK 00				
	REVISED BY						
	CONTENT						