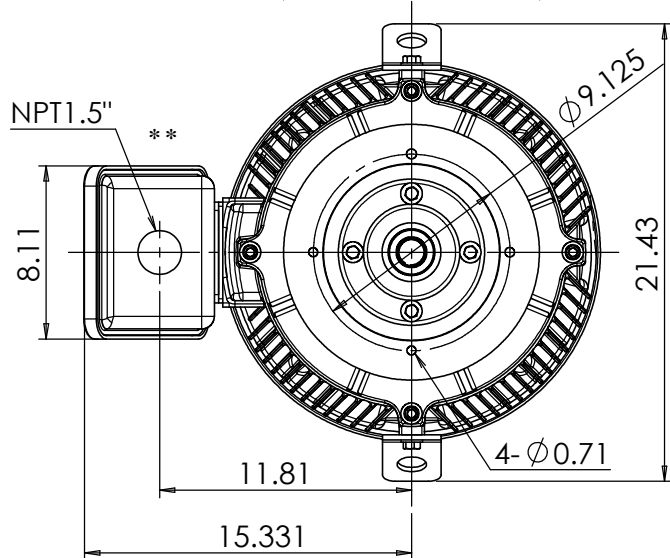
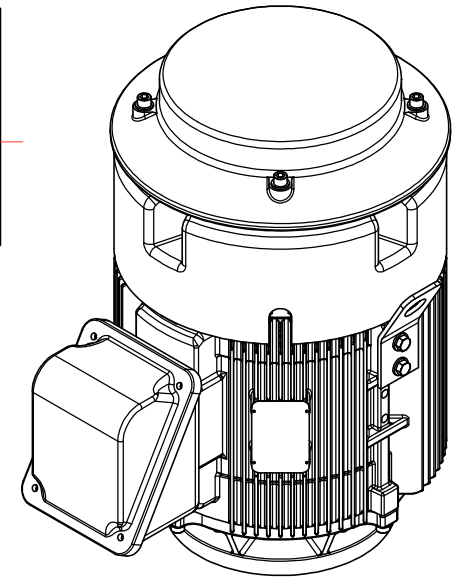
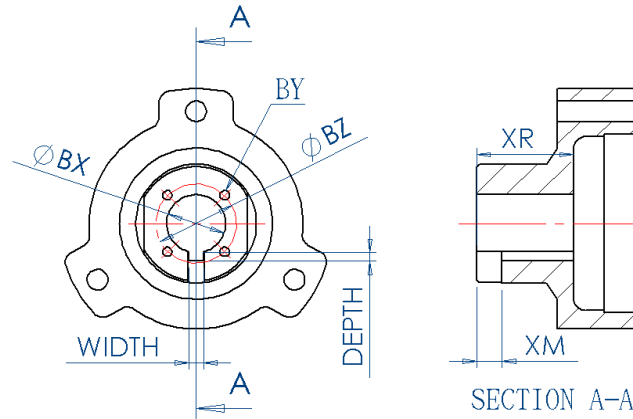


Coupling kits no.	BX	BY	BZ	XM	XR	KEYWAY	
						WIDTH	DEPTH
434-59234-91	1.001	10-32UNF	1.375	0.43	1.85	0.250	0.140
434-59234-92	1.188	1/4-20UNC	1.750				
434-59234-93	1.251						
434-59234-94	0.751	N/A				N/A	



FRAME 284TP16/286TP16

* CLEARANCE TO HOLD

** CONDUIT BOX CAN BE ROTATED IN STEP OF 90°

***MAX. DOWN THRUST : 2P = 2500 lbs

4P = 3100 lbs

6P = 3550 lbs

OUTPUT HP	POLE	VOLT	FREQ.	SYN. R.P.M.	BEARING LOWER SIDE 6311ZZ UPPER SIDE 7311B	APPROX WEIGHT 630lb	FILE NO. : CUSTOMER : PO. NO. : ORDER NO. :
TYPE TEFC	FORM VHS	INS. CLASS F	RATING	FRAME 284/6TP	PROTECTION IP 56		
	△	REV MARK		APPROVED BY T.M.LIAO	CHECKED BY C.P.SU	TITLE	
		DATE		SCALE	DESIGNED BY C.C.CHU	DRAWING BY C.C.CHU	
		APPROVED BY		UNIT	inch	DRAWING NO.	
		REVISED BY				AS-071380	
		CONTENT					REV.MARK
							00