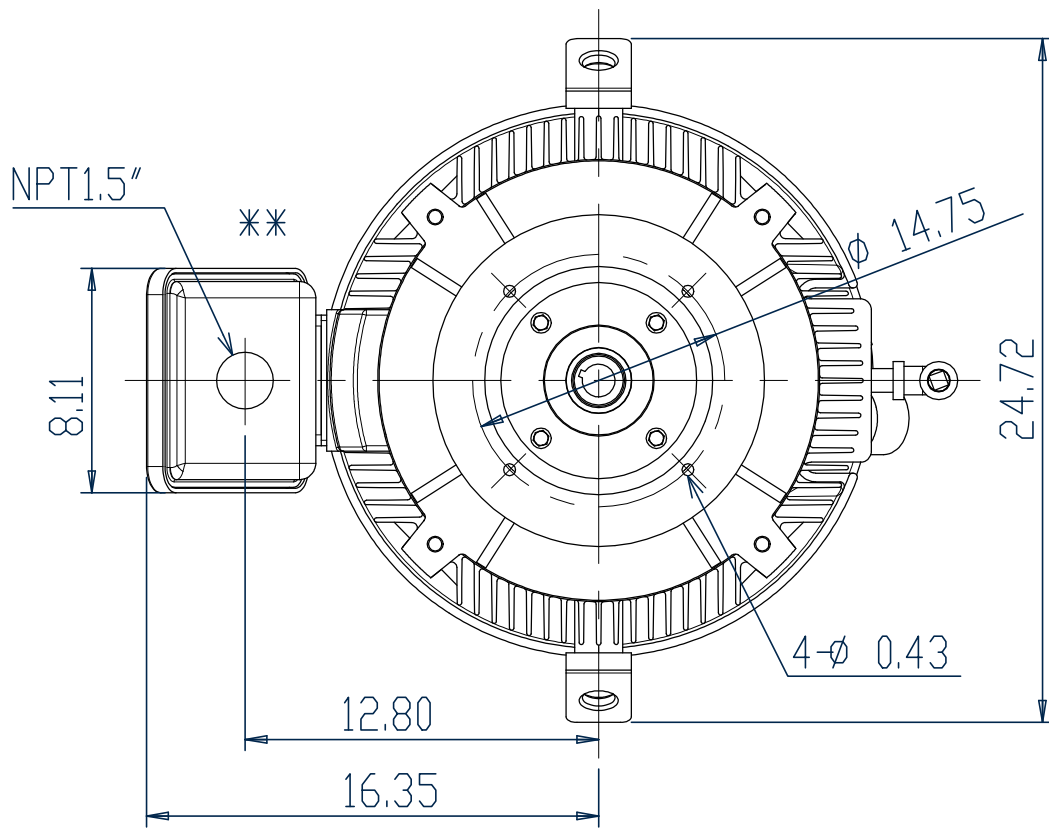
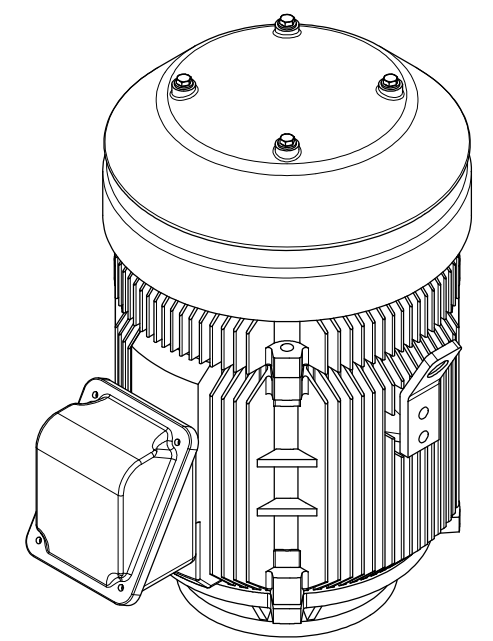
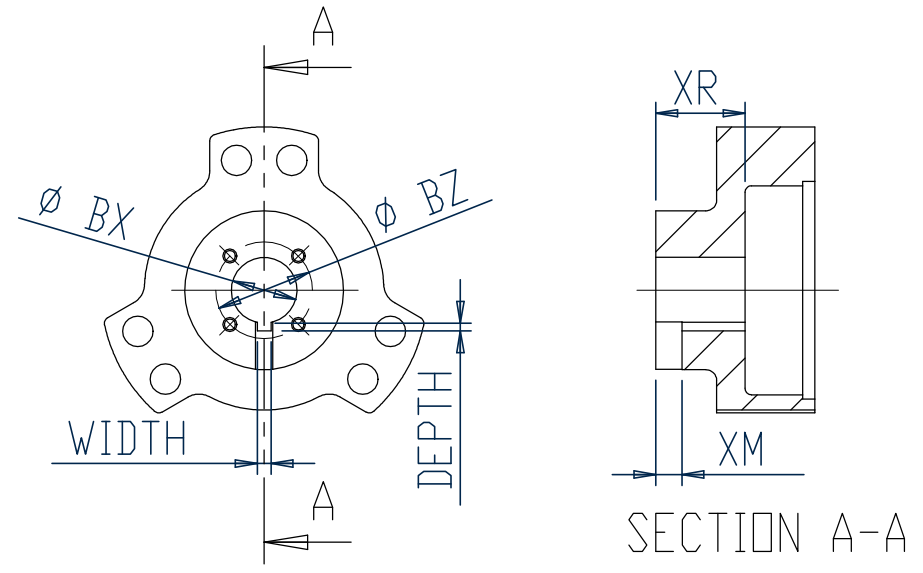


Coupling kits no.	BX	BY	BZ	XM	XR	KEYWAY	
						WIDTH	DEPTH
434-59235-91	1.001	10-32UNF	1.375	0.47	1.61	0.250	0.140
434-59235-92	1.188	1/4-20UNC	1.750				
434-59235-93	1.251						
434-59235-94	1.251		2.120				
434-59235-95	1.438					0.375	
434-59235-96	1.501						
434-59235-97	1.001	N/A					N/A



FRAME 324TP16/326TP16
 * CLEARANCE TO HOLD
 ** CONDUIT BOX CAN BE ROTATED IN STEP OF 90 °
 ***MAX. DOWN THRUST : 2P = 4350 lbs
 4P = 4500 lbs
 6P = 6450 lbs

OUTPUT HP	POLE	VOLT	FREQ.	SYN. R.P.M.	BEARING	APPROX WEIGHT	FILE NO. :
TYPE	FORM	INS. CLASS	RATING	FRAME	PROTECTION	LOWER SIDE	CUSTOMER :
TEFC	VHS	F		324/6TP	IP 56	6312ZZ	PO. NO. :
						UPPER SIDE	ORDER NO. :
						7219B	
	△	REV MARK		APPROVED BY	CHECKED BY	TITLE	
		DATE		T.M.LIAO	C.P.SU	OUTLINE FOR THREE PHASE	
		APPROVED BY		DESIGNED BY	DRAWING BY	INDUCTION MOTOR	
		REVISED BY		C.C.CHU	C.C.CHU		
		CONTENT		SCALE	UNIT	DRAWING NO.	
					inch	AS-071381	
						REV.MARK	
						(00)	