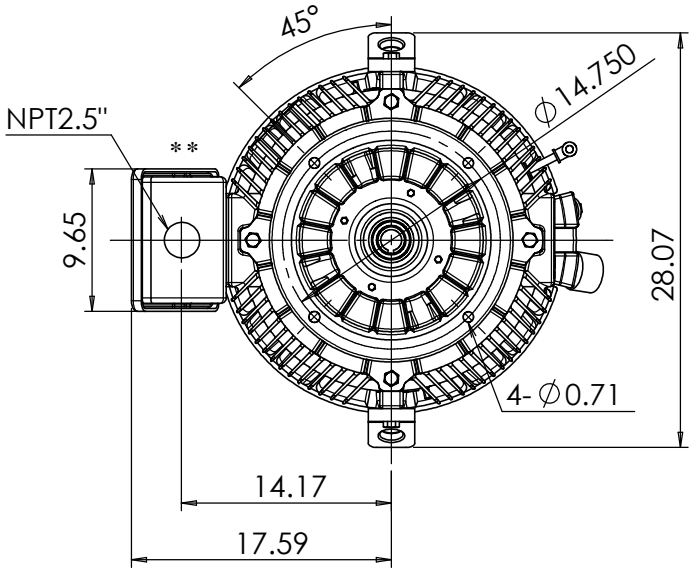
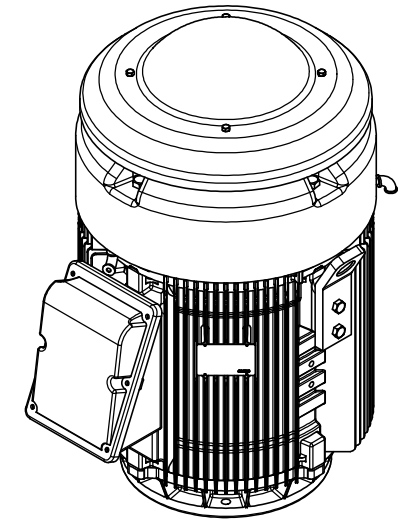
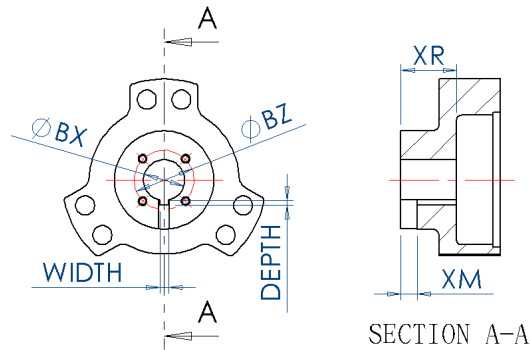


Coupling kits no.	BX	BY	BZ	XM	XR	KEYWAY	
						WIDTH	DEPTH
D34-01940-92	1.188	1/4-20UNC	1.750	0.47	1.48	0.250	0.140
D34-01940-93	1.251						
D34-01940-94	1.438						
D34-01940-95	1.501		2.120			0.375	
D34-01940-96	1.688						
D34-01940-97	1.751		2.500			0.203	
D34-01940-91	1.001	N/A		N/A			



FRAME 364TP20/365TP20
 * CLEARANCE TO HOLD
 ** CONDUIT BOX CAN BE ROTATED IN STEP OF 90°
 ***MAX. DOWN THRUST : 2P = 6400 lbs
 4P = 8050 lbs
 6P = 9300 lbs

OUTPUT HP	POLE	VOLT	FREQ.	SYN. R.P.M.	BEARING LOWER SIDE 6314ZZ UPPER SIDE 7319B	APPROX WEIGHT 1480lb	FILE NO. : CUSTOMER : PO. NO. : ORDER NO. :
TYPE TEFC	FORM VHS	INS. CLASS F	RATING	FRAME 364/5TP	PROTECTION IP 56		
REV. MARK		APPROVED BY C.P.SU		CHECKED BY C.P.SU		TITLE OUTLINE FOR THREE PHASE INDUCTION MOTOR	
DATE		DESIGNED BY J.J.SYU		DRAWING BY J.J.SYU		DRAWING NO. AS-071382	
APPROVED BY		SCALE inch		UNIT		REV.MARK 00	
REVISED BY		REVISION		CONTENT		TATUNG	