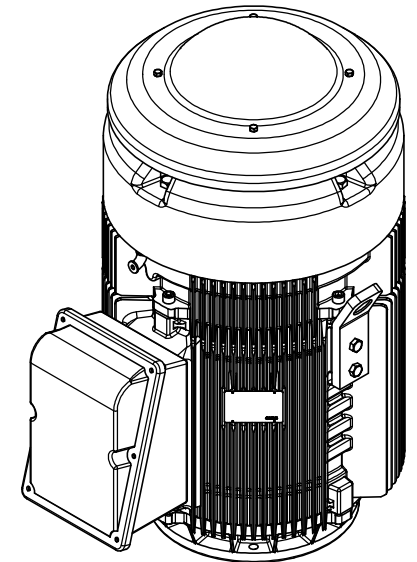
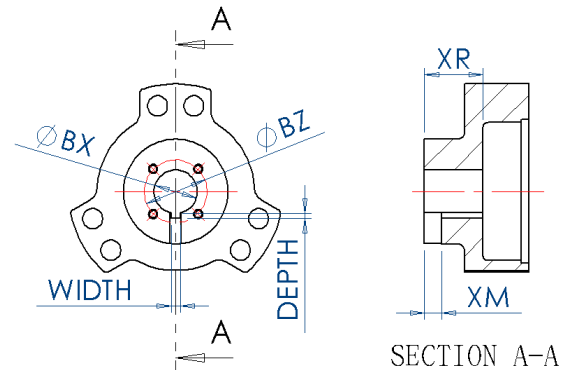


Coupling kits no.	BX	BY	BZ	XM	XR	KEYWAY	
						WIDTH	DEPTH
434-59237-91	1.188	1/4-20UNC	1.750	0.63	2.22	0.250	0.140
434-59237-92	1.501		2.120				
434-59237-93	1.688		2.500			0.203	
434-59237-94	1.751						
434-59237-95	1.938						
434-59235-96	1.188	N/A	N/A				



FRAME 404TP20/405TP20

* CLEARANCE TO HOLD

** CONDUIT BOX CAN BE ROTATED IN STEP OF 90°

***MAX. DOWN THRUST : 4P = 9200 lbs

6P = 8250 lbs

OUTPUT HP	POLE	VOLT	FREQ.	SYN. R.P.M.	BEARING LOWER SIDE 6314ZZ UPPER SIDE 7222DT	APPROX WEIGHT 1870lb	FILE NO. : CUSTOMER : PO. NO. : ORDER NO. :
TYPE TEFC	FORM VHS	INS. CLASS F	RATING	FRAME 404/5TP	PROTECTION IP 56		
	REV MARK			APPROVED BY C.P.SU	CHECKED BY C.P.SU	TITLE OUTLINE FOR THREE PHASE INDUCTION MOTOR	
	DATE			SCALE	DESIGNED BY J.J.SYU	DRAWING BY J.J.SYU	
	APPROVED BY			UNIT inch			
	REVISED BY						
	CONTENT						
						DRAWING NO. AS-071383	REV.MARK 00