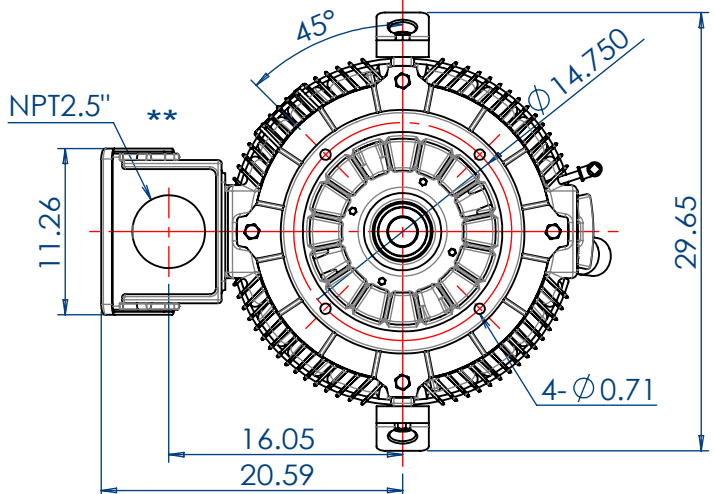
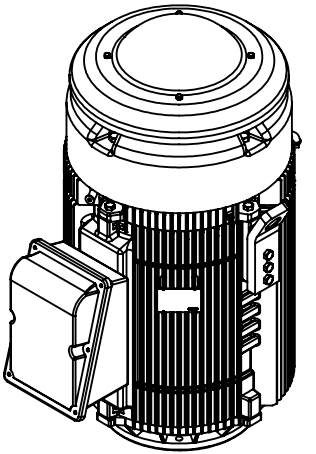
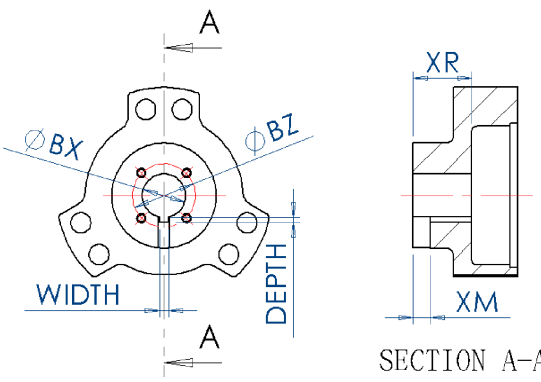


Coupling kits no.	BX	BY	BZ	XM	XR	KEYWAY	
						WIDTH	DEPTH
D34-07581-92	1.501	1/4-20UNC	2.125	0.63	6.67	0.375	0.168
D34-07581-93	1.688		2.500				0.171
D34-07581-94	1.938		N/A			N/A	
D34-07581-91	1.501						N/A



FRAME 444TP20/445TP20
 * CLEARANCE TO HOLD
 ** CONDUIT BOX CAN BE ROTATED IN STEP OF 90°
 *** MAX. DOWN THRUST : 4P = 9550 lbs
 6P = 11050 lbs

OUTPUT HP	POLE	VOLT	FREQ.	SYN. R.P.M.	BEARING LOWER SIDE 6218ZZ UPPER SIDE 7224DT	APPROX WEIGHT 2070lb	FILE NO. : CUSTOMER : PO. NO. : ORDER NO. :
TYPE TEFC	FORM VHS	INS. CLASS F	RATING	FRAME 444/5TP	PROTECTION IP 56		
	REV MARK			APPROVED BY C.P.SU	CHECKED BY C.P.SU	TITLE OUTLINE FOR THREE PHASE INDUCTION MOTOR	
	DATE			DESIGNED BY J.J.SYU	DRAWING BY J.J.SYU		
	APPROVED BY			UNIT inch		DRAWING NO. AS-071384	
	REVISED BY					REV.MARK 00	
	CONTENT						