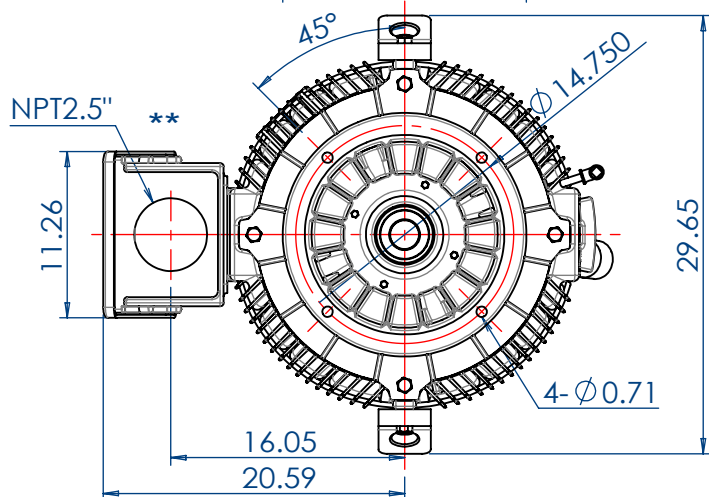
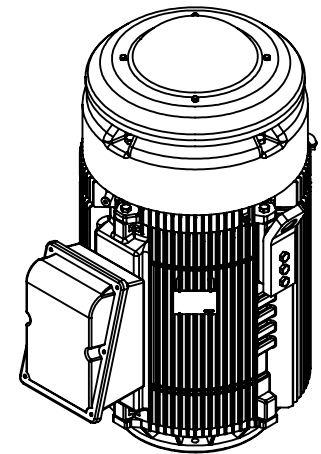
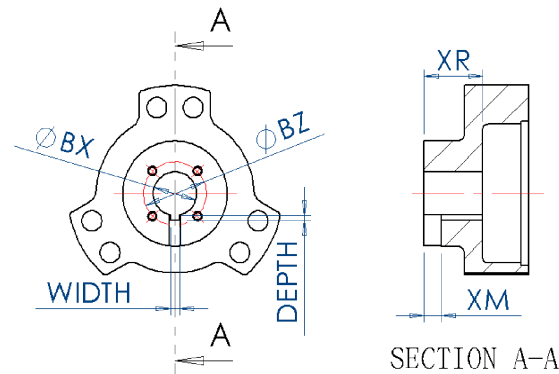


Ø 1.938 MAX. PUMP SHAFT
 Ø 2.000 HOLE IN SHAFT

Coupling kits no.	BX	BY	BZ	XM	XR	KEYWAY	
						WIDTH	DEPTH
D34-07581-92	1.501	1/4-20UNC	2.125	0.63	6.67	0.375	0.168
D34-07581-93	1.688		2.500			0.171	
D34-07581-94	1.938					0.222	
D34-07581-91	1.501	N/A				N/A	



FRAME 444TP24/445TP24
 * CLEARANCE TO HOLD
 ** CONDUIT BOX CAN BE ROTATED IN STEP OF 90°
 ***MAX. DOWN THRUST : 4P = 9550 lbs
 6P = 11050 lbs

OUTPUT	POLE	VOLT	FREQ.	SYN. R.P.M.	BEARING	APPROX WEIGHT	FILE NO. :
HP					LOWER SIDE	2070lb	CUSTOMER :
TYPE	FORM	INS. CLASS	RATING	FRAME	PROTECTION		UPPER SIDE
TEFC	VHS	F		444/5TP	IP 56	7224DT	ORDER NO. :
	REV	MARK			APPROVED BY	CHECKED BY	TITLE
		DATE			C.P.SU	C.P.SU	OUTLINE FOR THREE PHASE INDUCTION MOTOR
		APPROVED BY			DESIGNED BY	DRAWING BY	
		REVISED BY			J.J.SYU	J.J.SYU	
	REVISION				SCALE	UNIT	DRAWING NO.
					inch		AS-071385
	CONTENT						REV.MARK
							00