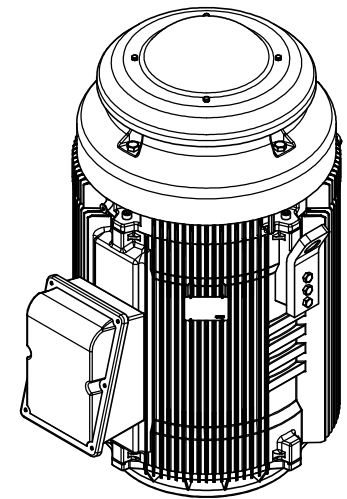
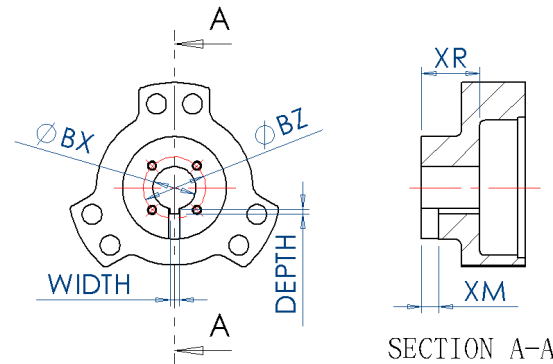


Coupling kits no.	BX	BY	BZ	XM	XR	KEYWAY	
						WIDTH	DEPTH
D34-02072-92	1.501	1/4-20UNC	2.125	0.63	2.20	0.375	0.140
D34-02072-93	1.688		2.500				0.203
D34-02072-94	1.938		3/8-16UNC			3.250	0.500
D34-02072-95	2.001	0.226					
D34-02072-96	2.188	N/A				N/A	N/A
D34-02072-97	2.251						
D34-02072-91	1.501						



FRAME 447TP20

\* CLEARANCE TO HOLD

\*\* CONDUIT BOX CAN BE ROTATED IN STEP OF 90°

\*\*\*MAX. DOWN THRUST : 4P = 11500 lbs

6P = 14500 lbs

OUTPUT HP	POLE	VOLT	FREQ.	SYN. R.P.M.	BEARING LOWER SIDE 6218ZZ UPPER SIDE 7230DT	APPROX WEIGHT 2880lb	FILE NO. : CUSTOMER : PO. NO. : ORDER NO. :
TYPE TEFC	FORM VHS	INS. CLASS F	RATING	FRAME 447TP	PROTECTION IP 56		
	△	REV MARK		APPROVED BY C.P.SYU	CHECKED BY C.P.SU	TITLE <b>OUTLINE FOR THREE PHASE INDUCTION MOTOR</b>	
		DATE		SCALE	DESIGNED BY J.J.SYU	DRAWING BY J.J.SYU	
		APPROVED BY		UNIT inch			
		REVISED BY					
		CONTENT					
						DRAWING NO. AS-071386	REV.MARK 00