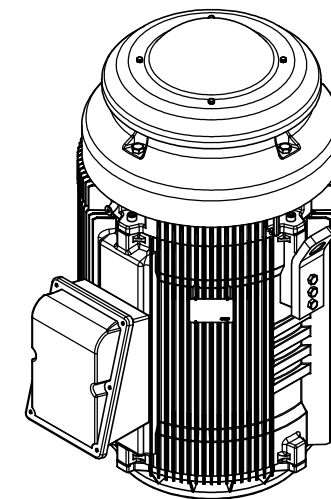
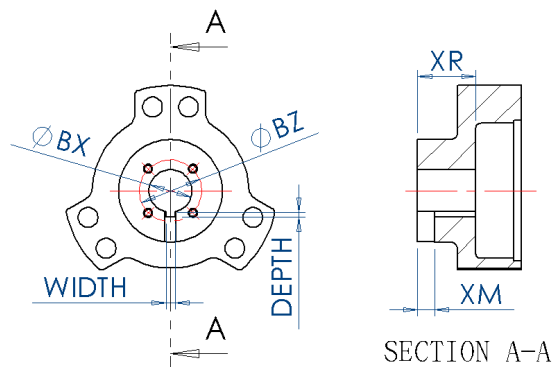


Coupling kits no.	BX	BY	BZ	XM	XR	KEYWAY	
						WIDTH	DEPTH
D34-02072-92	1.501	1/4-20UNC	2.125	0.63	2.20	0.375	0.140
D34-02072-93	1.688		2.500				0.203
D34-02072-94	1.938		3/8-16UNC			3.250	0.500
D34-02072-95	2.001	0.226					
D34-02072-96	2.188	N/A				N/A	N/A
D34-02072-97	2.251						
D34-02072-91	1.501						



FRAME 447TP30

* CLEARANCE TO HOLD

** CONDUIT BOX CAN BE ROTATED IN STEP OF 90°

***MAX. DOWN THRUST : 4P = 11500 lbs

6P = 14500 lbs

OUTPUT HP	POLE	VOLT	FREQ.	SYN. R.P.M.	BEARING LOWER SIDE	APPROX WEIGHT	FILE NO. :
					6218ZZ <td rowspan="2">2880lb</td> <td>CUSTOMER :</td>	2880lb	CUSTOMER :
TYPE	FORM	INS. CLASS	RATING	FRAME	PROTECTION		UPPER SIDE
TEFC	VHS	F		447TP	IP 56	7230DT	ORDER NO. :
REV. MARK		APPROVED BY		APPROVED BY		TITLE	
DATE		C.P.SYU		C.P.SU		OUTLINE FOR THREE PHASE INDUCTION MOTOR	
REVISED BY		DESIGNED BY		DRAWING BY		DRAWING NO.	
CONTENT		J.J.SYU		J.J.SYU		AS-071388	
REVISION		SCALE		UNIT		REV.MARK	
		inch				00	