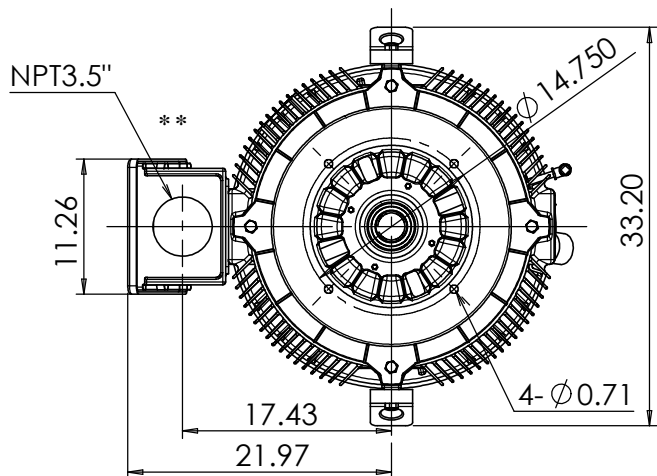
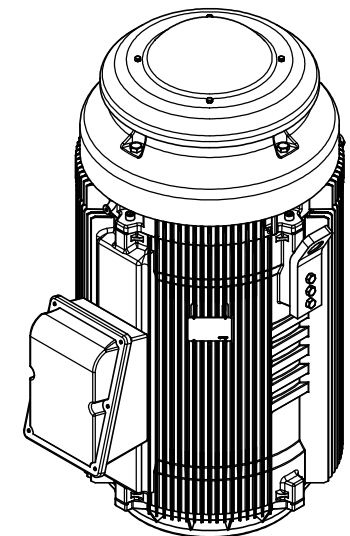
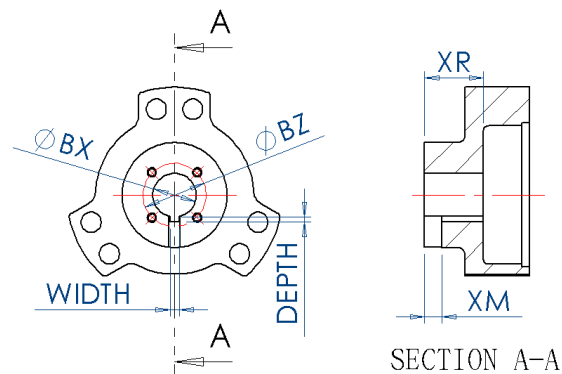


Coupling kits no.	BX	BY	BZ	XM	XR	KEYWAY	
						WIDTH	DEPTH
D34-02072-92	1.501	1/4-20UNC	2.125	0.63	2.20	0.375	0.140
D34-02072-93	1.688		2.500				0.203
D34-02072-94	1.938		3/8-16UNC			3.250	0.222
D34-02072-95	2.001	0.500					0.226
D34-02072-96	2.188						
D34-02072-97	2.251	N/A				N/A	
D34-02072-91	1.501	N/A			N/A		



FRAME 449TP24

- * CLEARANCE TO HOLD
- ** CONDUIT BOX CAN BE ROTATED IN STEP OF 90°
- ***MAX. DOWN THRUST : 4P = 11200 lbs
6P = 14000 lbs

OUTPUT HP	POLE	VOLT	FREQ.	SYN. R.P.M.	BEARING LOWER SIDE 6218ZZ UPPER SIDE 7230DT	APPROX WEIGHT 3200lb	FILE NO. : CUSTOMER : PO. NO. : ORDER NO. :
TYPE TEFC	FORM VHS	INS. CLASS F	RATING	FRAME 449TP	PROTECTION IP 56	TITLE OUTLINE FOR THREE PHASE INDUCTION MOTOR	
REV. MARK		APPROVED BY C.P.SU		CHECKED BY C.P.SU		DRAWING NO. AS-071390	
DATE		DESIGNED BY J.J.SYU		DRAWING BY J.J.SYU		REV. MARK 00	
APPROVED BY		SCALE inch		UNIT		DRAWING NO. AS-071390	
REVISED BY		TATUNG		DRAWING BY J.J.SYU		REV. MARK 00	
CONTENT		TATUNG		DRAWING BY J.J.SYU		REV. MARK 00	