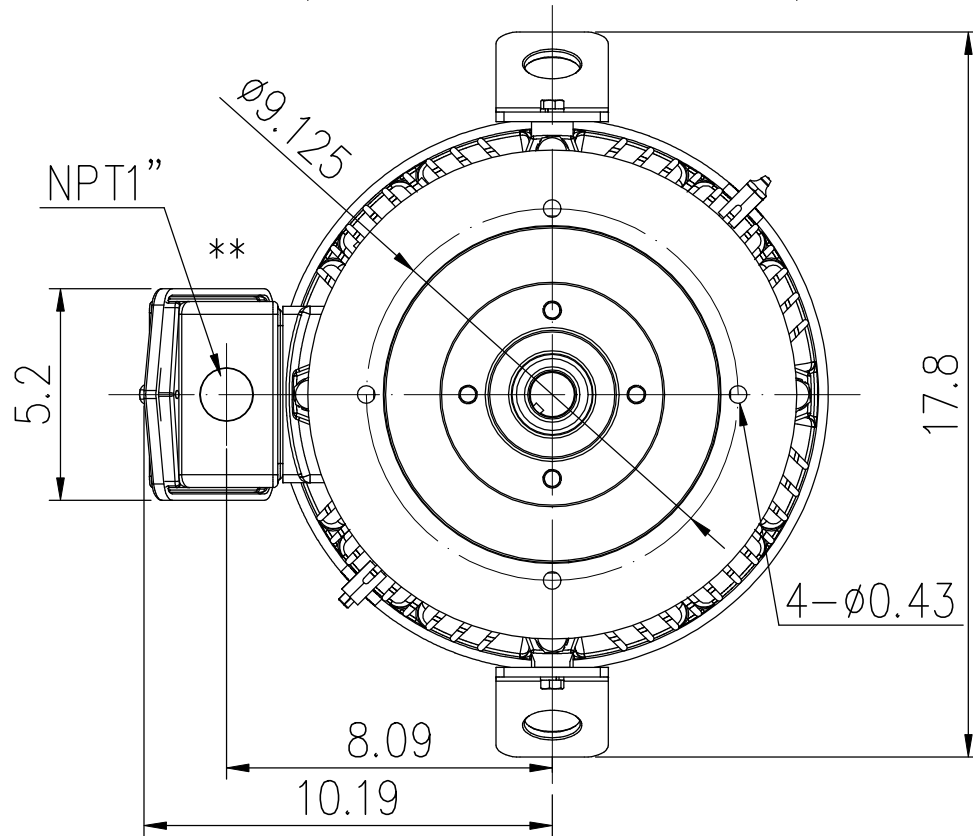
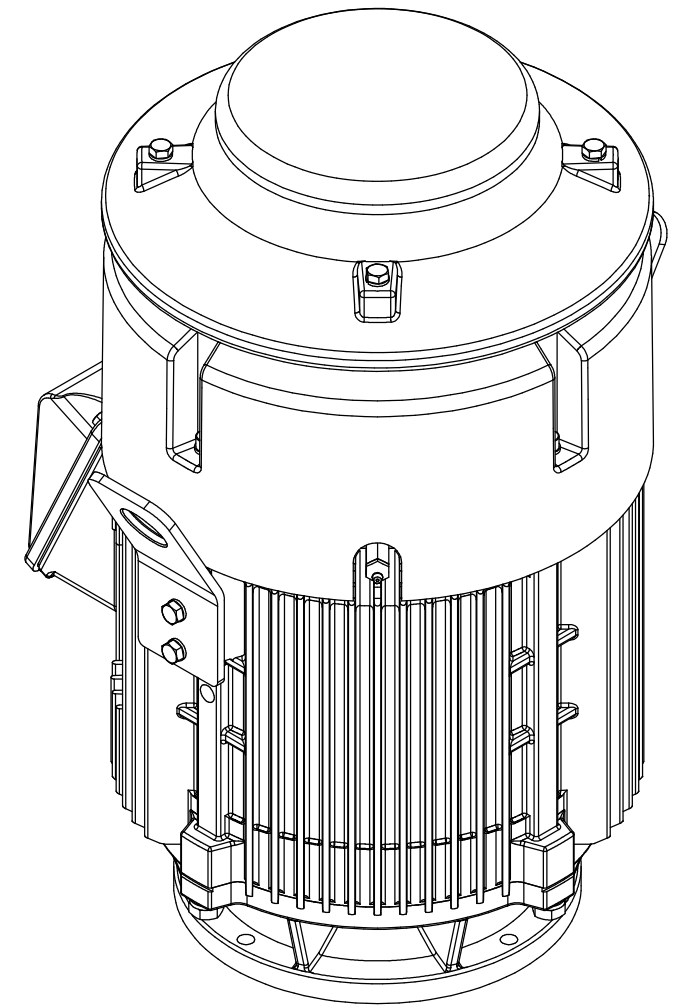
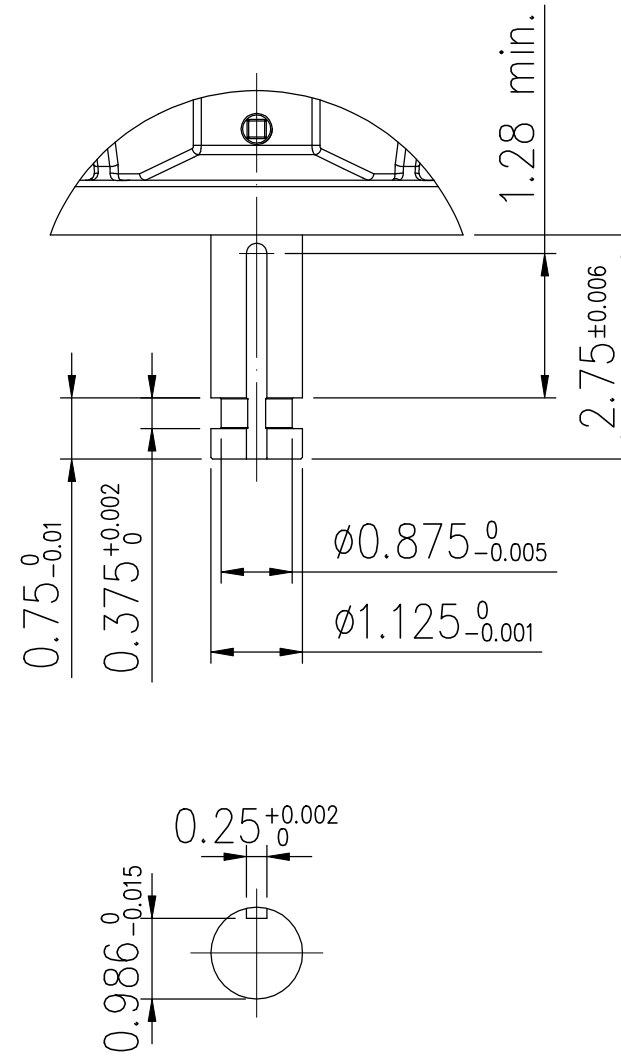
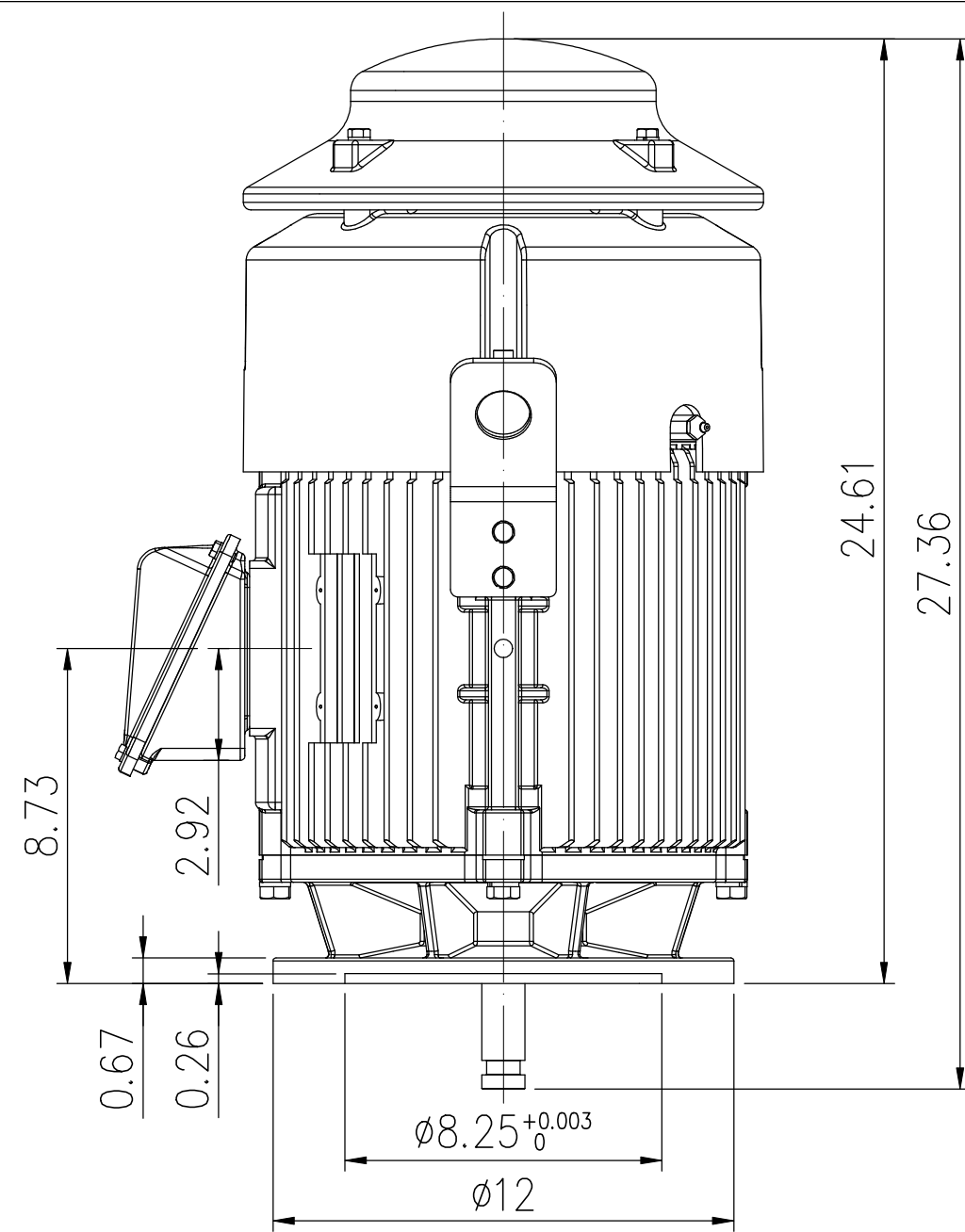


Preliminary Drawing, For Reference Only.

FRAME 213VP10/215VP12



** CONDUIT BOX CAN BE ROTATED IN STEP OF 90°

***MAX. DOWN THRUST 2P: 1800 lbs

4P: 2300 lbs

6P: 2600 lbs

OUTPUT HP	POLE	VOLT	FREQ.	SYN. R.P.M.	BEARING LOWER SIDE 6209ZZ	APPROX WEIGHT 310 lb	FILE NO. :
TYPE TEFC	FORM VSS	INS. CLASS F	RATING	FRAME 213/5VP	PROTECTION IP56	BEARING UPPER SIDE 7309B	CUSTOMER :
							PO. NO. :
							ORDER NO. :
	△	REV MARK		APPROVED BY C.P.SU	CHECKED BY C.P.SU	TITLE OUTLINE FOR THREE PHASE INDUCTION MOTOR	
		DATE		DESIGNED BY J.J.SYU	DRAWING BY J.J.SYU		
		APPROVED BY	SCALE				
		REVISED BY	UNIT	inch			
		CONTENT				DRAWING NO. AS-071400	REV.MARK 00

