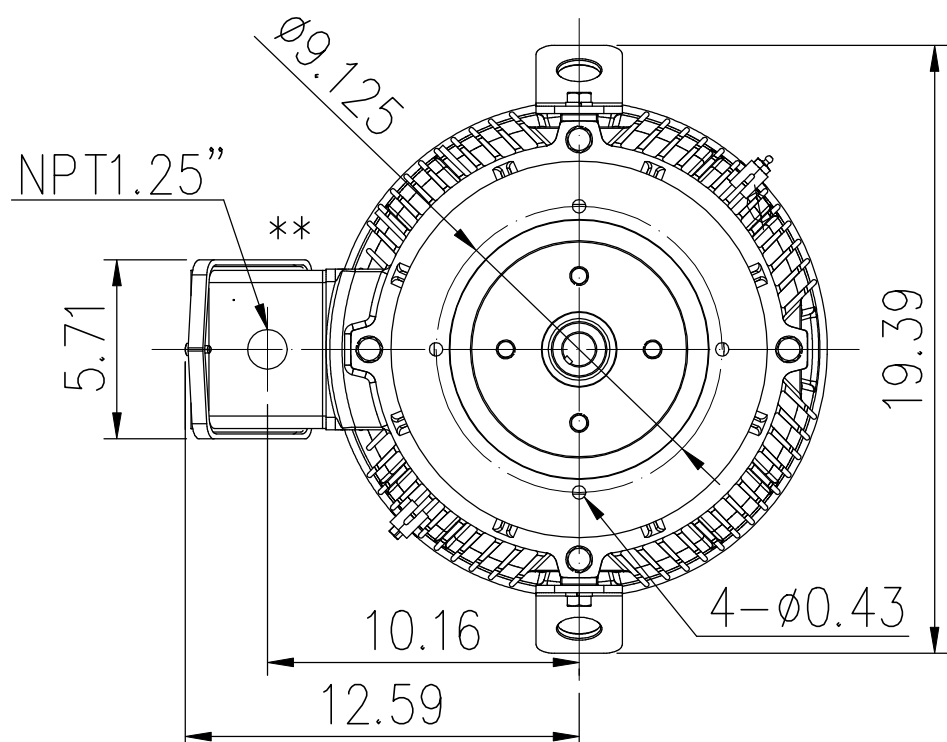
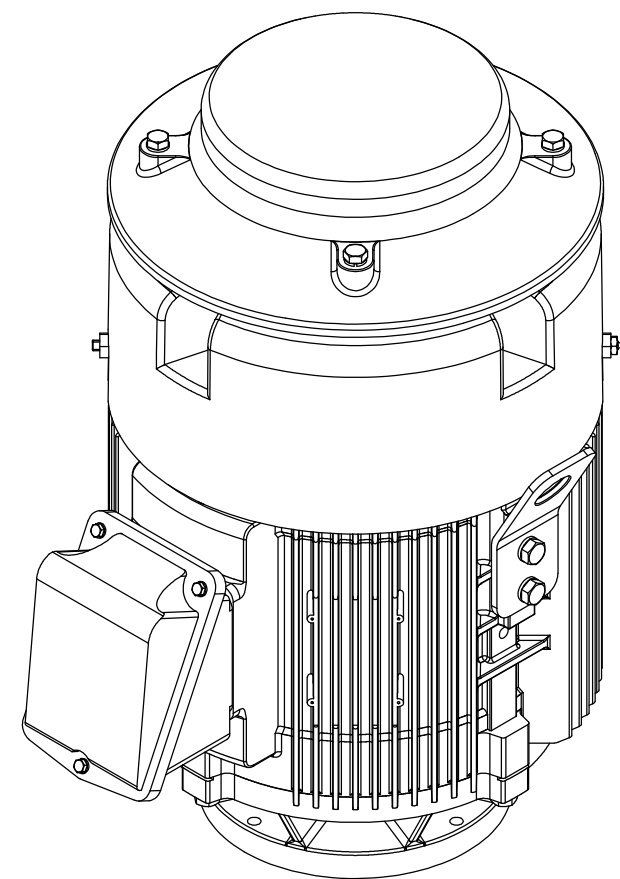
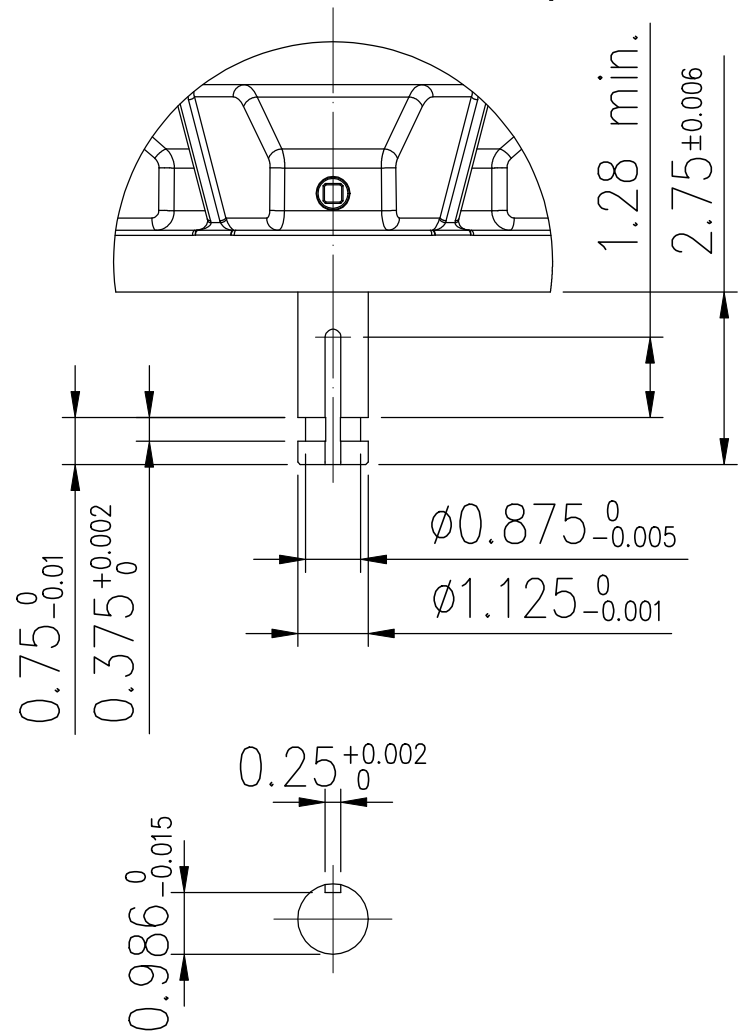
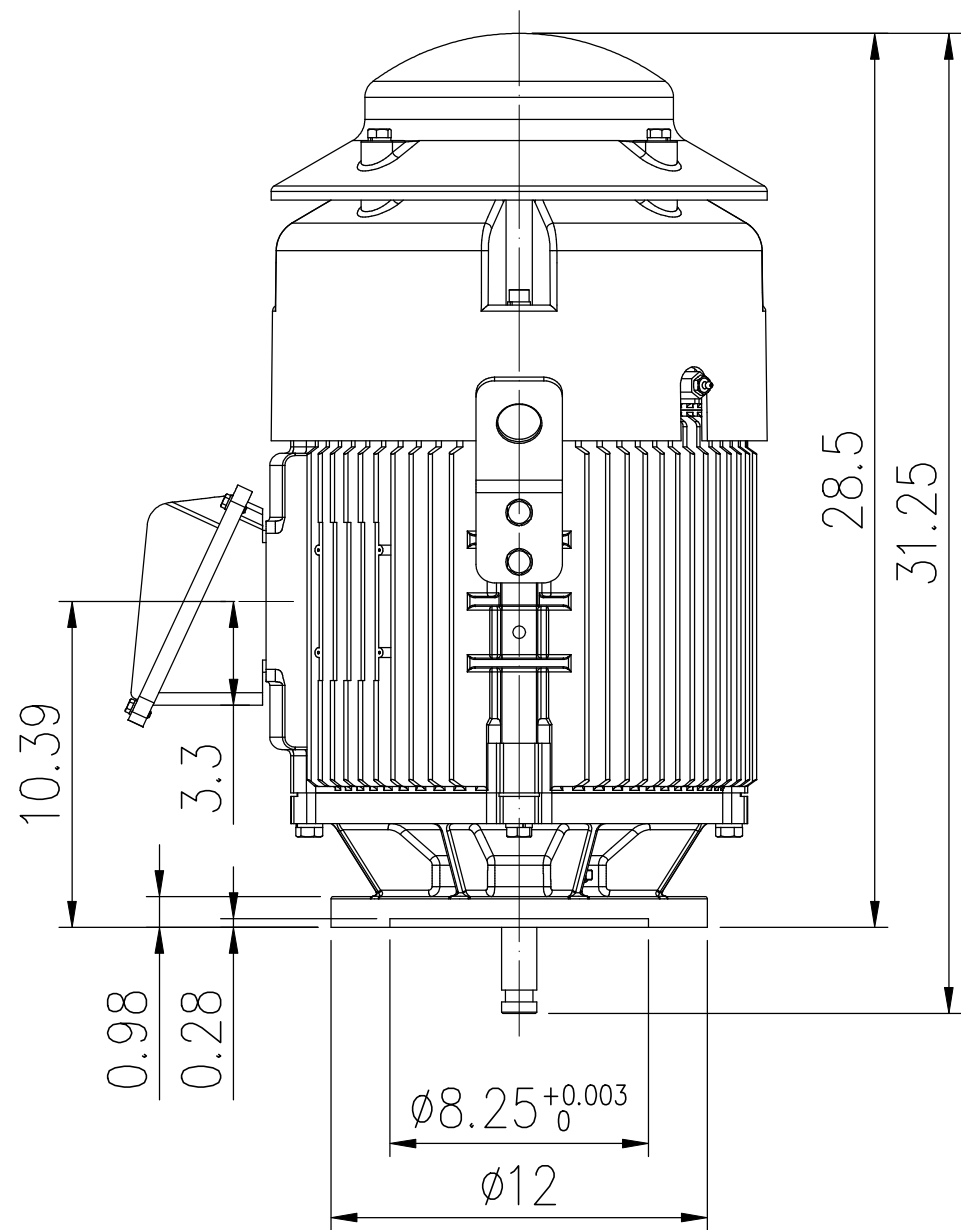


Preliminary Drawing, For Reference Only.
FRAME 254VP12/256VP12



** CONDUIT BOX CAN BE ROTATED IN STEP OF 90°
 ***MAX. DOWN THRUST : 2P = 2550 lbs
 4P = 3200 lbs
 6P = 3600 lbs

OUTPUT HP	POLE	VOLT	FREQ.	SYN. R.P.M.	BEARING LOWER SIDE 6309ZZ UPPER SIDE 7311B	APPROX WEIGHT 480lb	FILE NO. : CUSTOMER : PO. NO. : ORDER NO. :
TYPE TEFC	FORM VSS	INS. CLASS F	RATING	FRAME 254/6VP	PROTECTION IP56		
	△	REV MARK	APPROVED BY C.P.SU	CHECKED BY C.P.SU	TITLE OUTLINE FOR THREE PHASE INDUCTION MOTOR		
	DATE	APPROVED BY	DESIGNED BY J.J.SYU	DRAWING BY J.J.SYU			
	REVISOR	REVISOR	SCALE UNIT	inch			
	CONTENT				DRAWING NO. AS-071401	REV.MARK 00	