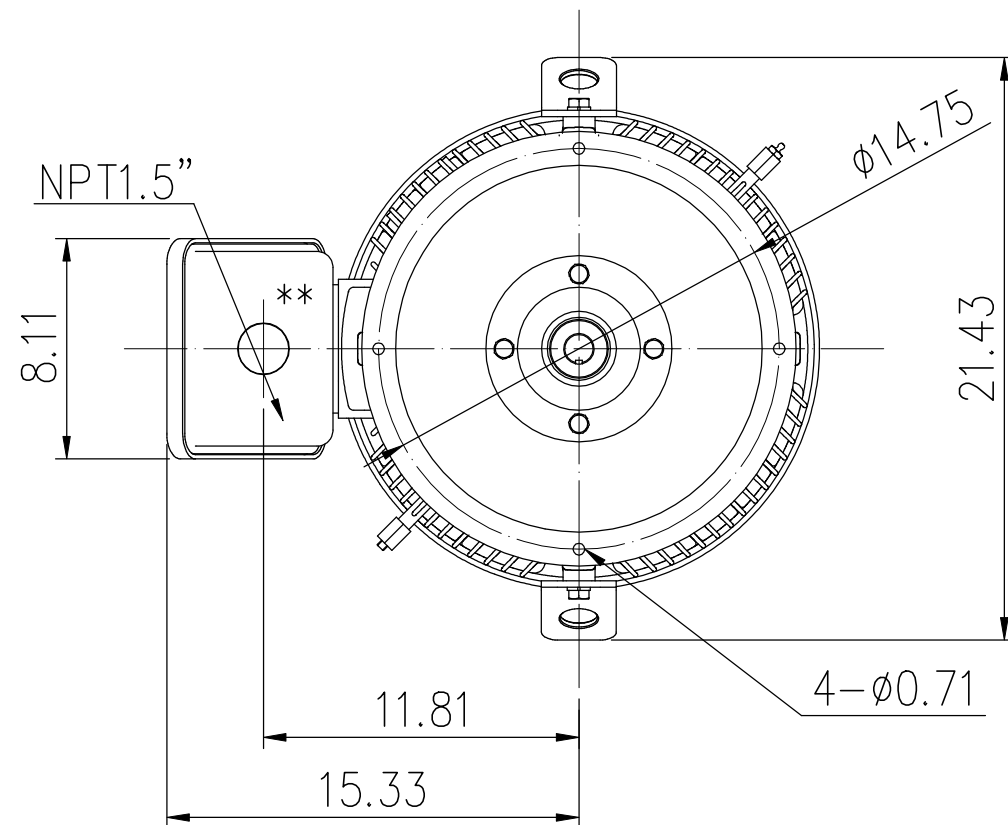
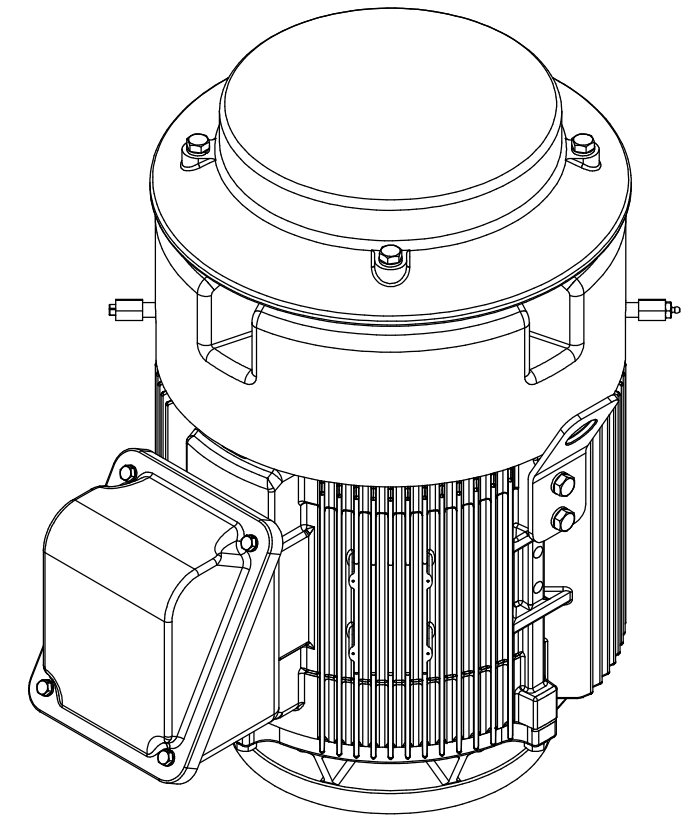
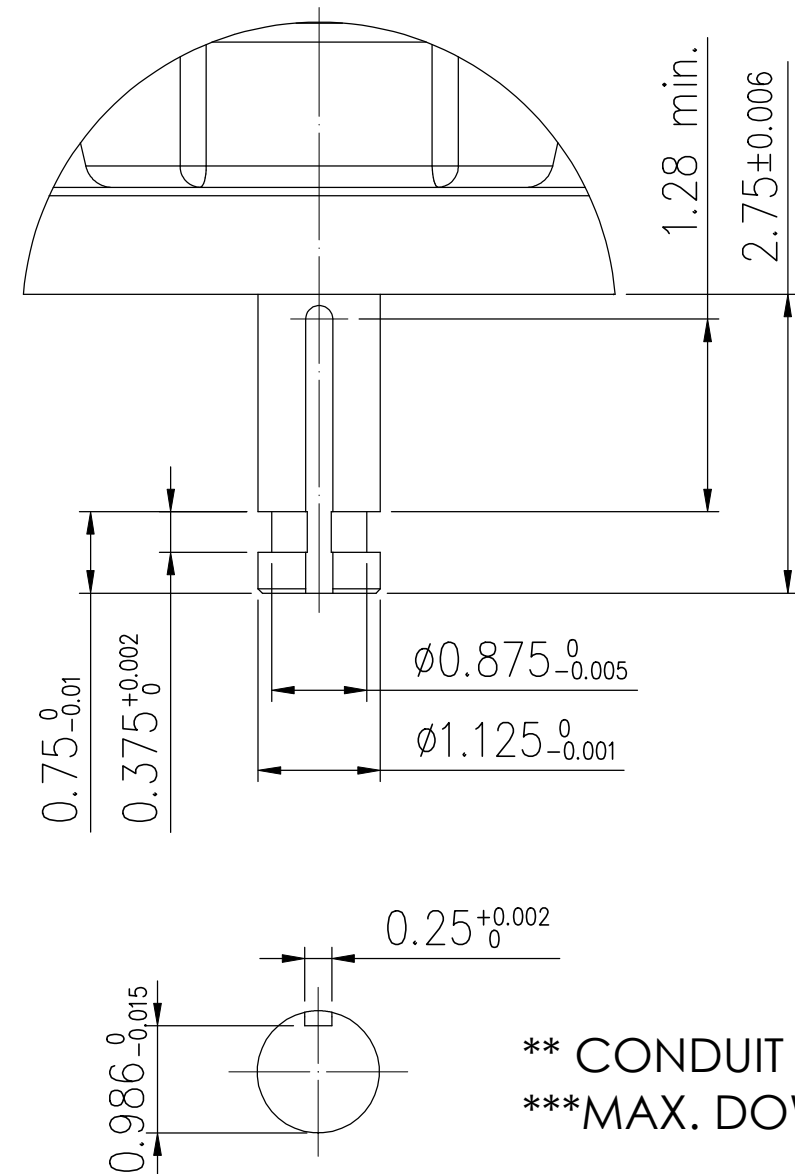
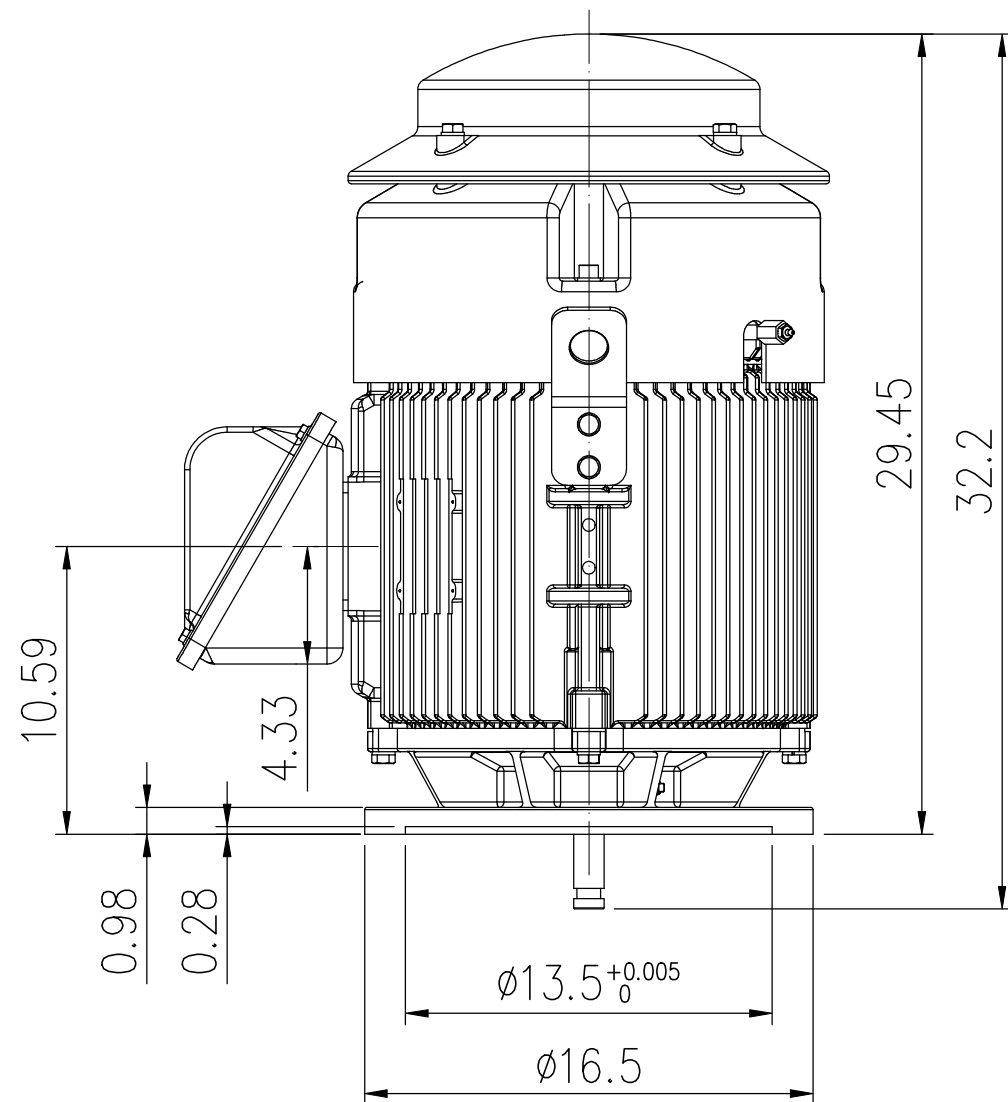


Preliminary Drawing, For Reference Only.
 FRAME 284VP16/286VP16



** CONDUIT BOX CAN BE ROTATED IN STEP OF 90°
 ***MAX. DOWN THRUST : 2P = 2500 lbs
 4P = 3100 lbs
 6P = 3550 lbs

OUTPUT HP	POLE	VOLT	FREQ.	SYN. R.P.M.	BEARING LOWER SIDE 6311ZZ	APPROX WEIGHT 630 lb	FILE NO. :
TYPE TEFC	FORM VSS	INS. CLASS F	RATING	FRAME 284/6VP	PROTECTION IP56	BEARING UPPER SIDE 7311B	CUSTOMER :
							PO. NO. :
							ORDER NO. :
	Δ	REV MARK	APPROVED BY C.P.SU		CHECKED BY C.P.SU	TITLE OUTLINE FOR THREE PHASE INDUCTION MOTOR	
		DATE	DESIGNED BY J.J.SYU		DRAWING BY J.J.SYU		
		APPROVED BY	SCALE	UNIT			
		REVISED BY	inch				
		CONTENT	TATUNG		DRAWING NO. AS-071402		REV.MARK 00