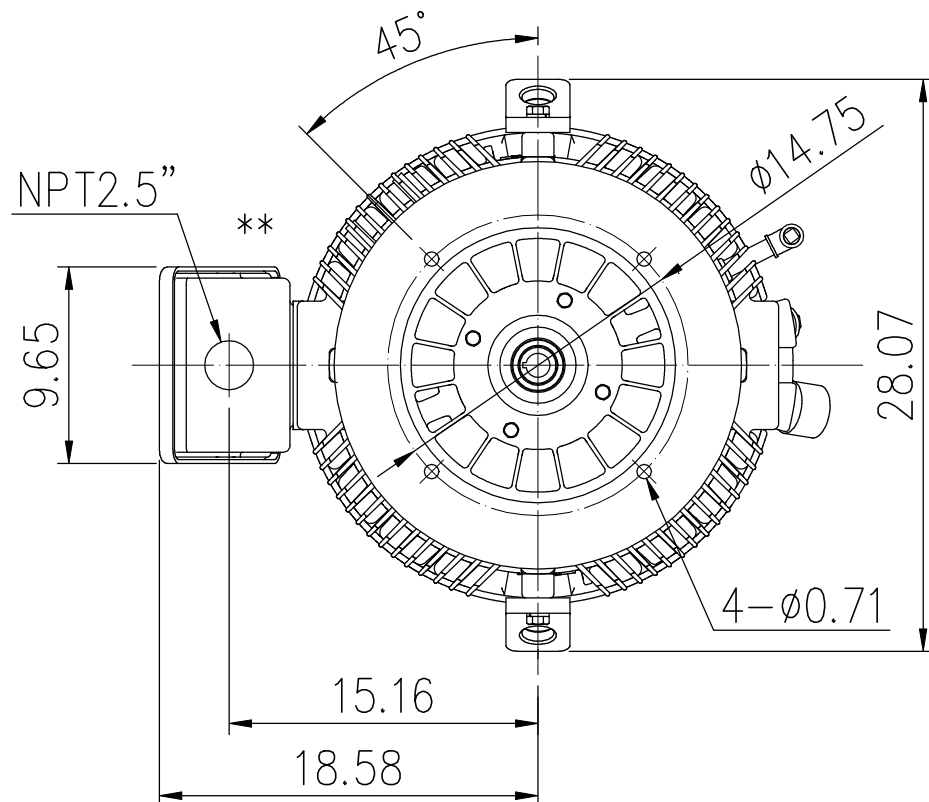
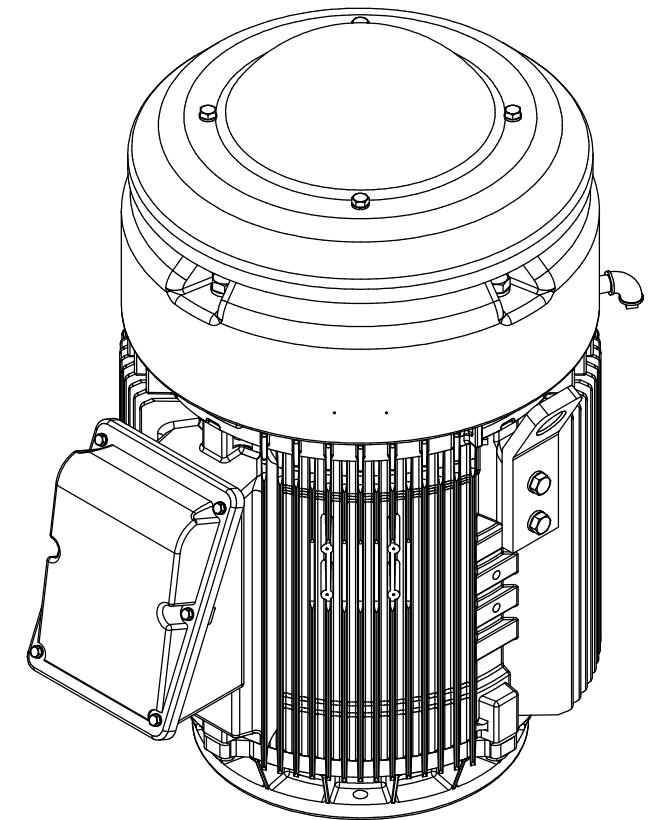
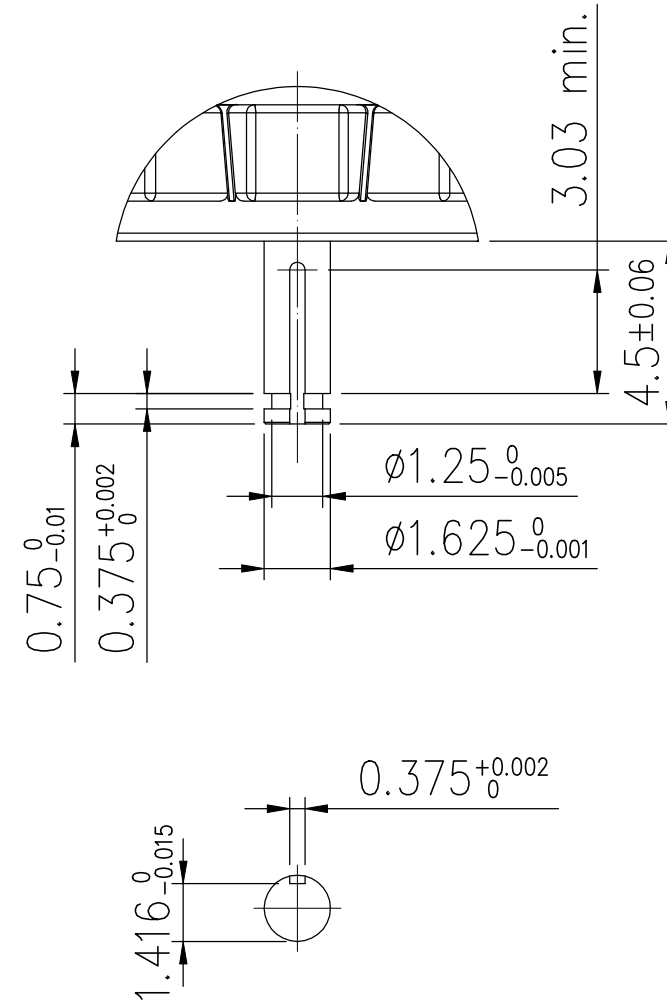
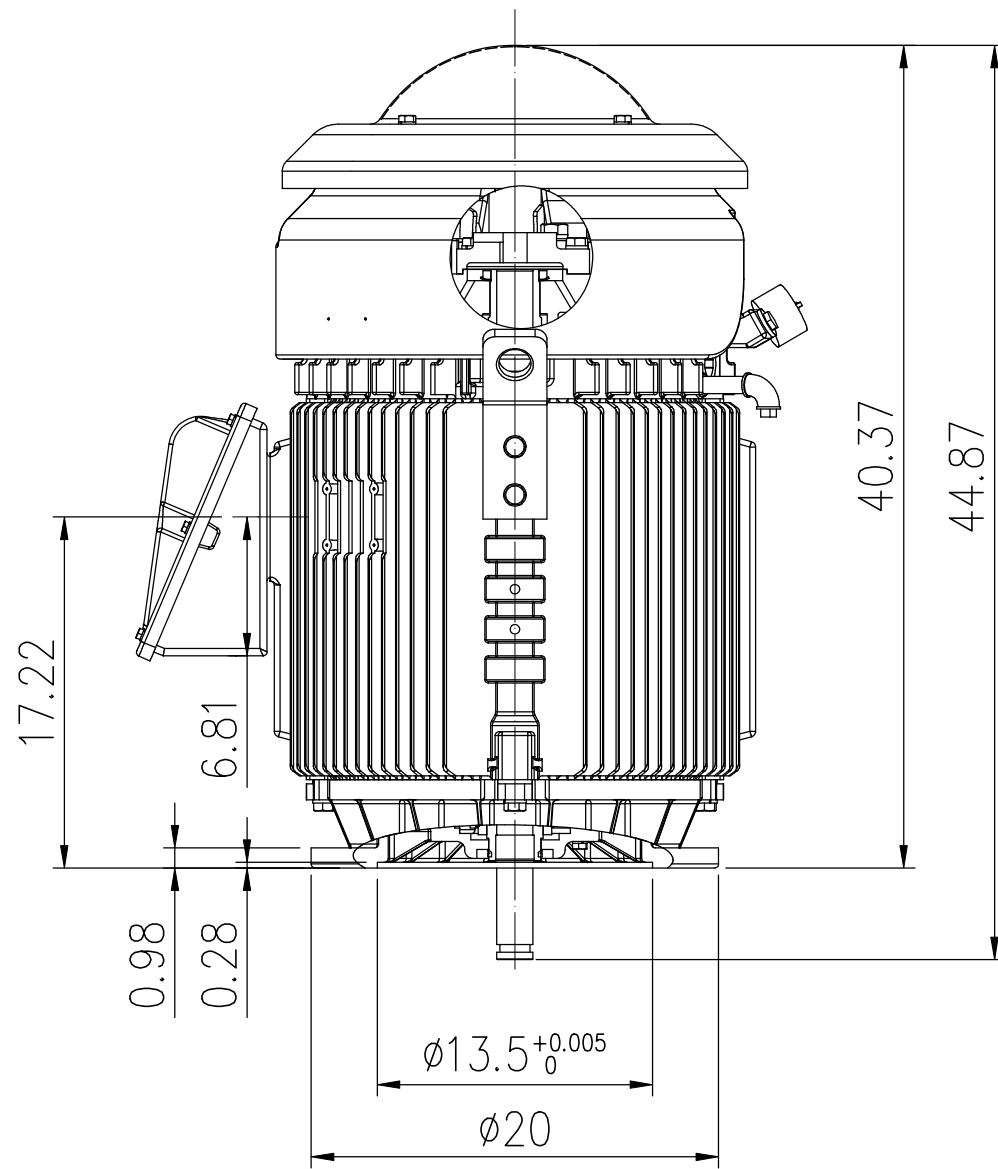


Preliminary Drawing, For Reference Only.  
 FRAME 364VP20/365VP20



\*\* CONDUIT BOX CAN BE ROTATED IN STEP OF 90°

\*\*\*MAX. DOWN THRUST : 2P = 6400 lbs  
 4P = 8050 lbs  
 6P = 9300 lbs

OUTPUT HP	POLE	VOLT	FREQ.	SYN. R.P.M.	BEARING LOWER SIDE 6314ZZ UPPER SIDE 7319B	APPROX WEIGHT 1480 lb	FILE NO. : CUSTOMER : PO. NO. : ORDER NO. :
TYPE TEFC	FORM VSS	INS. CLASS F	RATING	FRAME 364/5VP	PROTECTION IP56		
	△	REV MARK	APPROVED BY C.P.SU	CHECKED BY C.P.SU	TITLE OUTLINE FOR THREE PHASE INDUCTION MOTOR		
		DATE	DESIGNED BY J.J.SYU	DRAWING BY J.J.SYU			
		APPROVED BY	SCALE inch				
		REVISED BY	UNIT inch				
		CONTENT			DRAWING NO. AS-071404	REV.MARK 00	