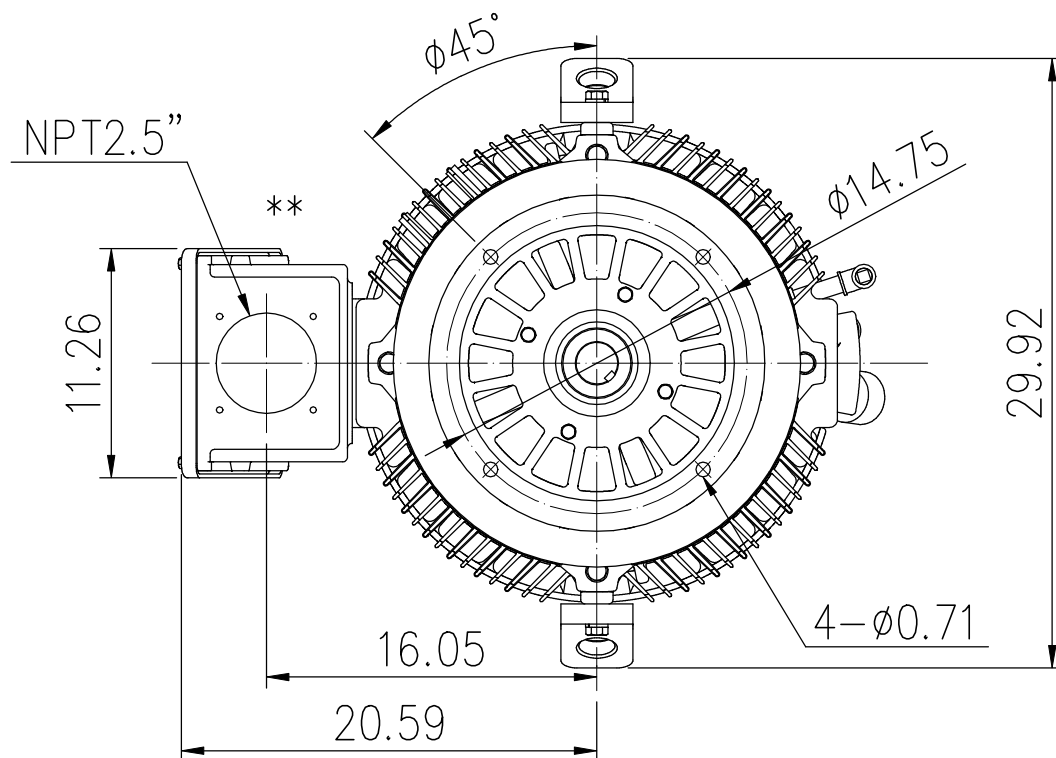
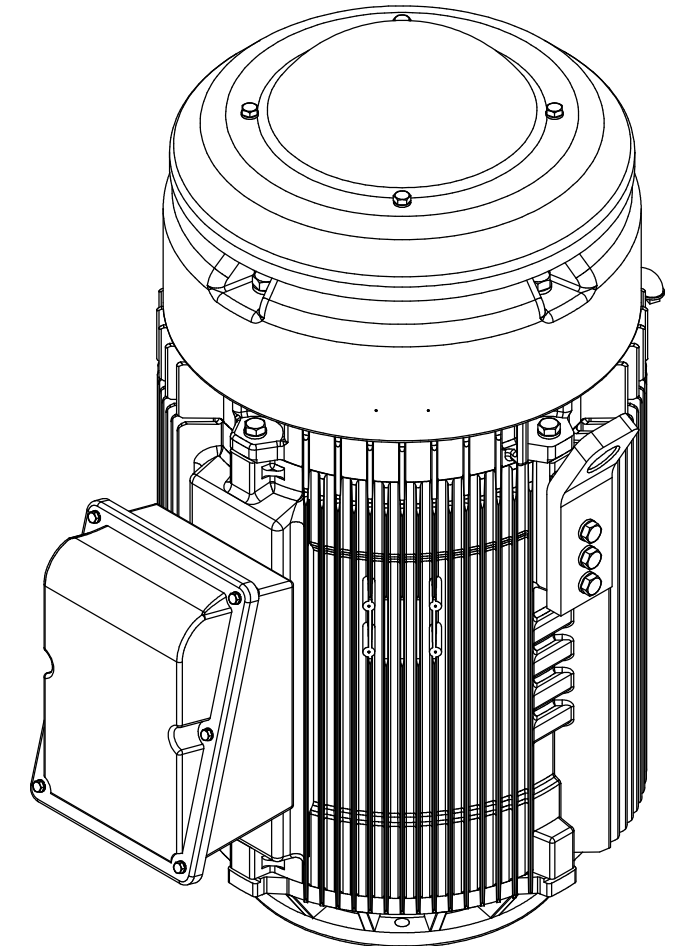
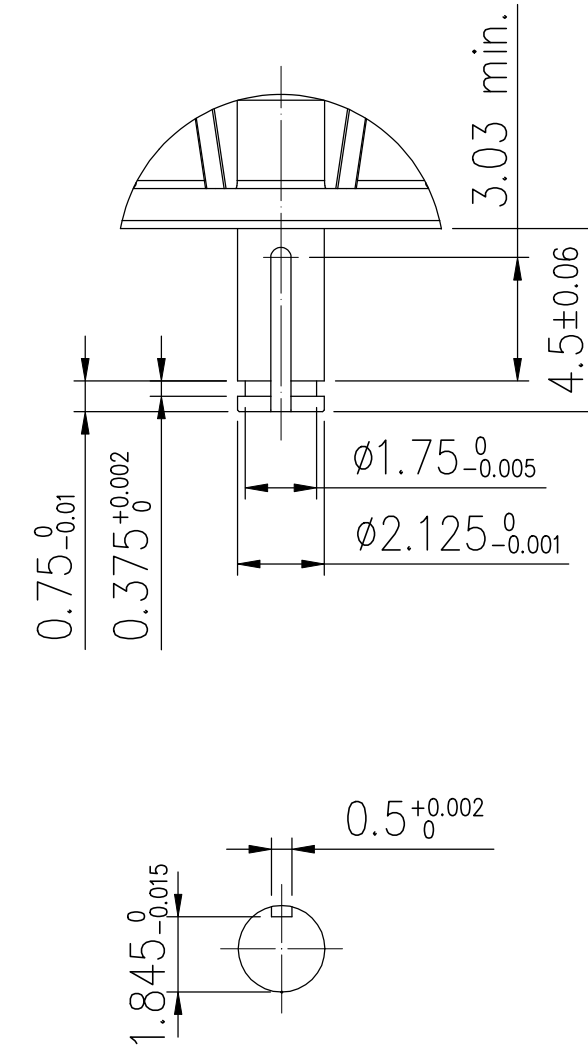
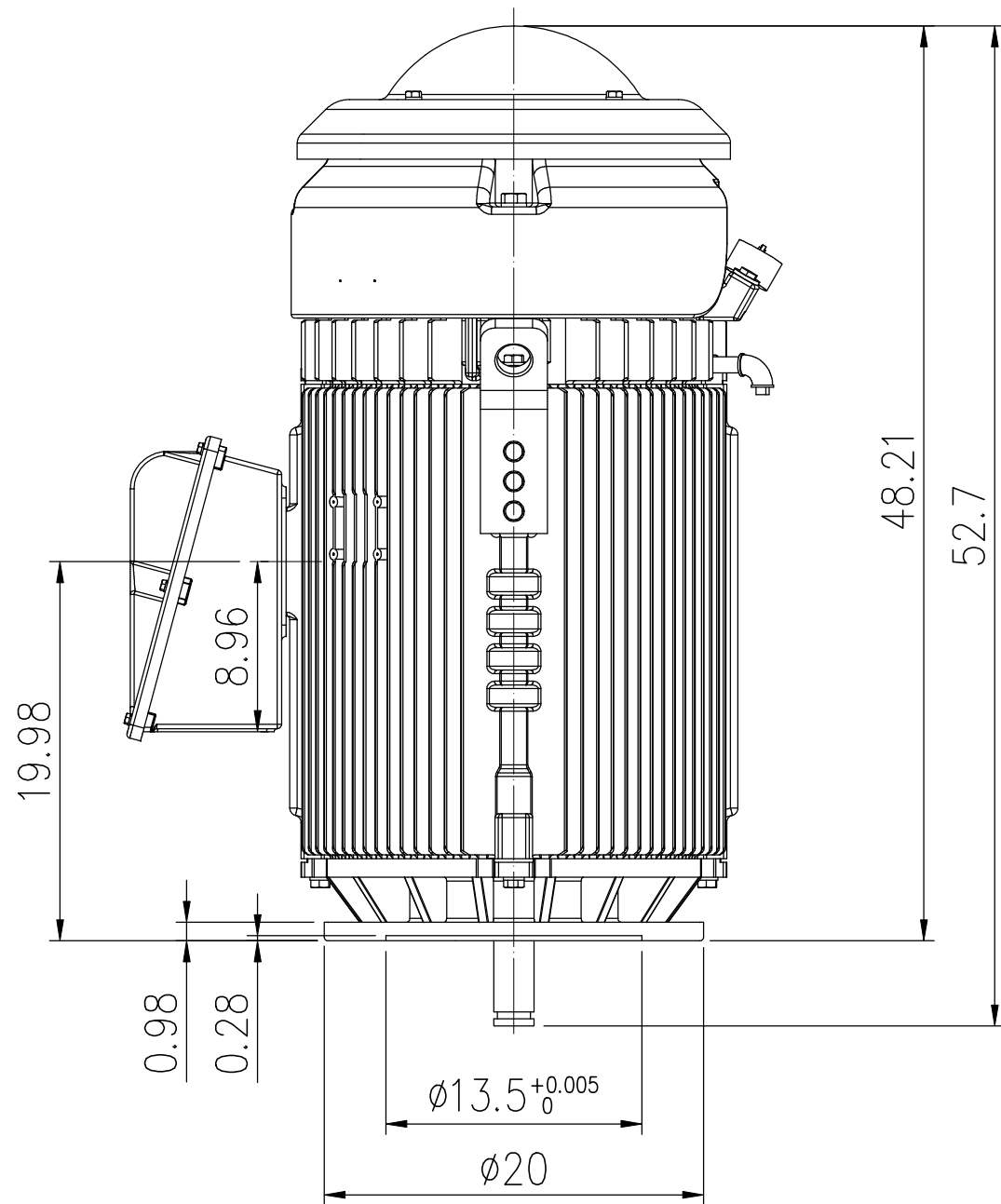


Preliminary Drawing, For Reference Only.

FRAME 444VP20/445VP20



** CONDUIT BOX CAN BE ROTATED IN STEP OF 90°

***MAX. DOWN THRUST : 4P = 9550 lbs

6P = 11050 lbs

OUTPUT HP	POLE	VOLT	FREQ.	SYN. R.P.M.	BEARING LOWER SIDE 6218ZZ UPPER SIDE 7224DT	APPROX WEIGHT 2070 lb	FILE NO. : CUSTOMER : PO. NO. : ORDER NO. :
TYPE TEFC	FORM VSS	INS. CLASS F	RATING	FRAME 444/5VP	PROTECTION IP56		
	△	REV MARK		APPROVED BY C.P.SU	CHECKED BY C.P.SU	TITLE OUTLINE FOR THREE PHASE INDUCTION MOTOR	
		DATE		DESIGNED BY J.J.SYU	DRAWING BY J.J.SYU		
		APPROVED BY	SCALE	UNIT	inch		
		REVISED BY					
		CONTENT				DRAWING NO. AS-071406	REV.MARK 00

