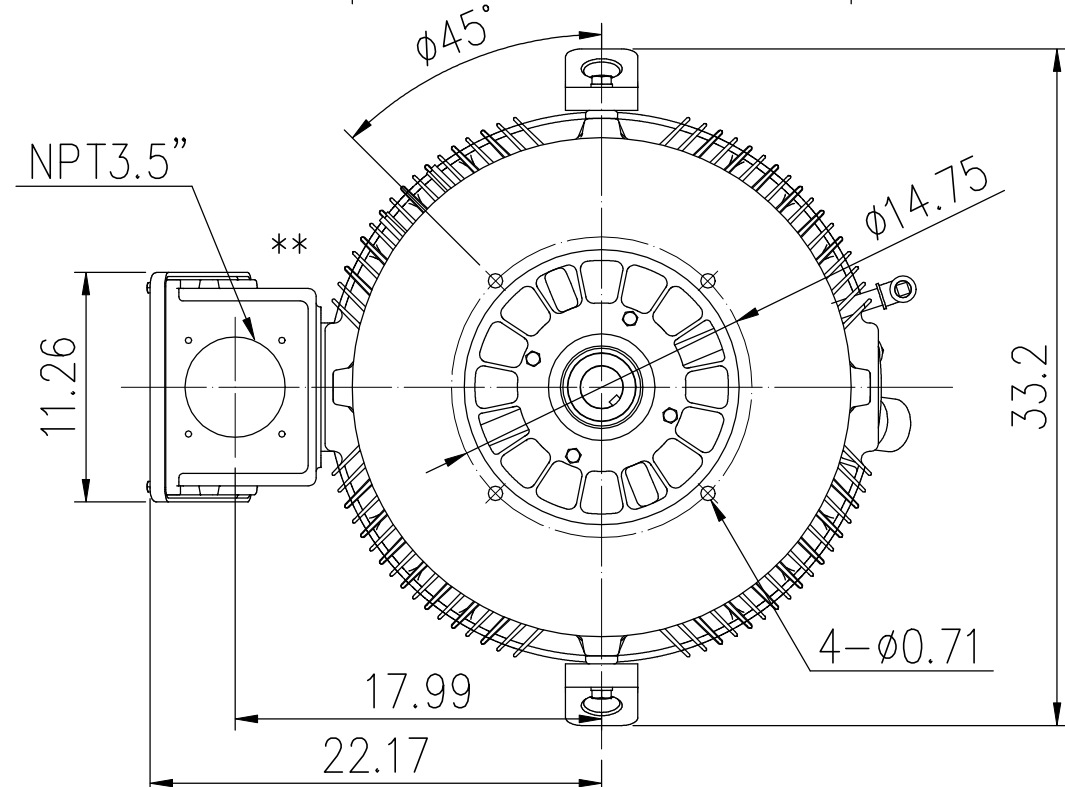
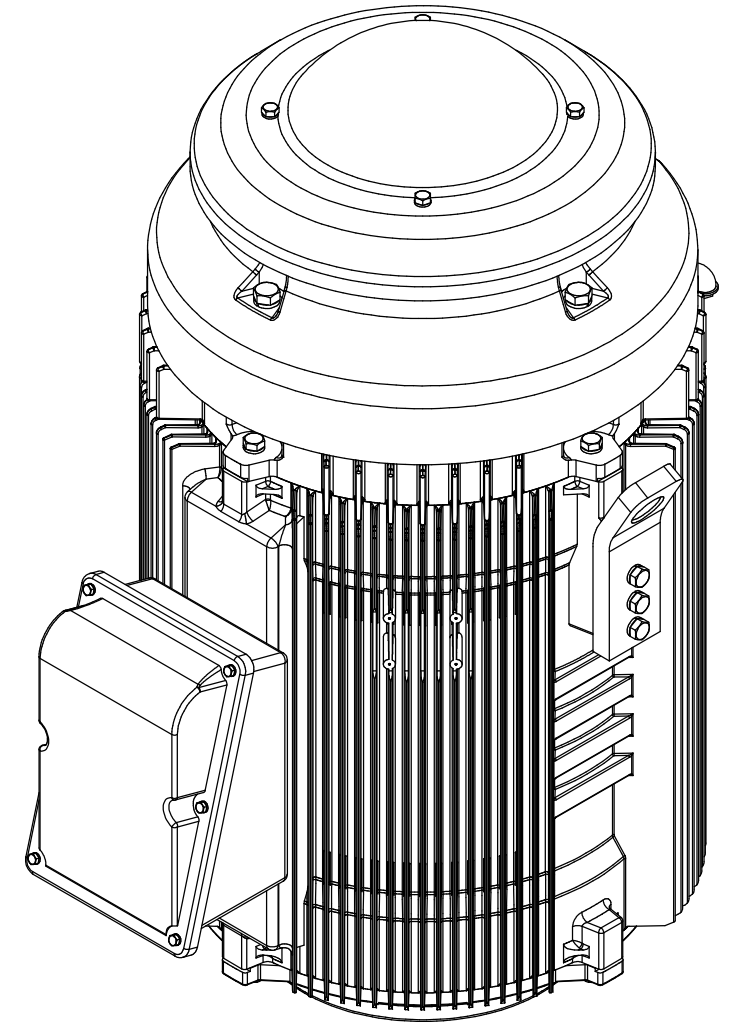
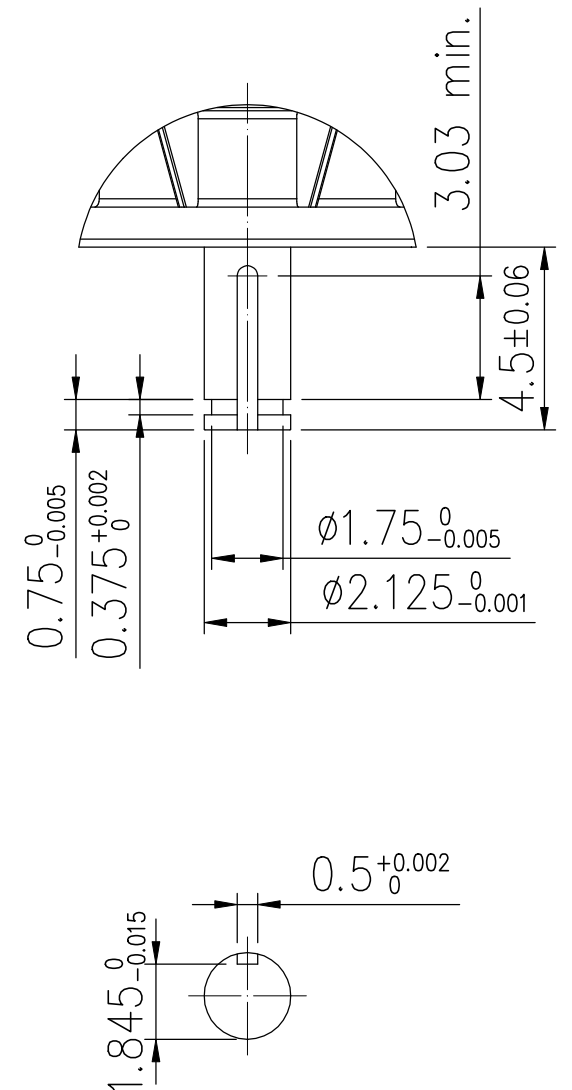
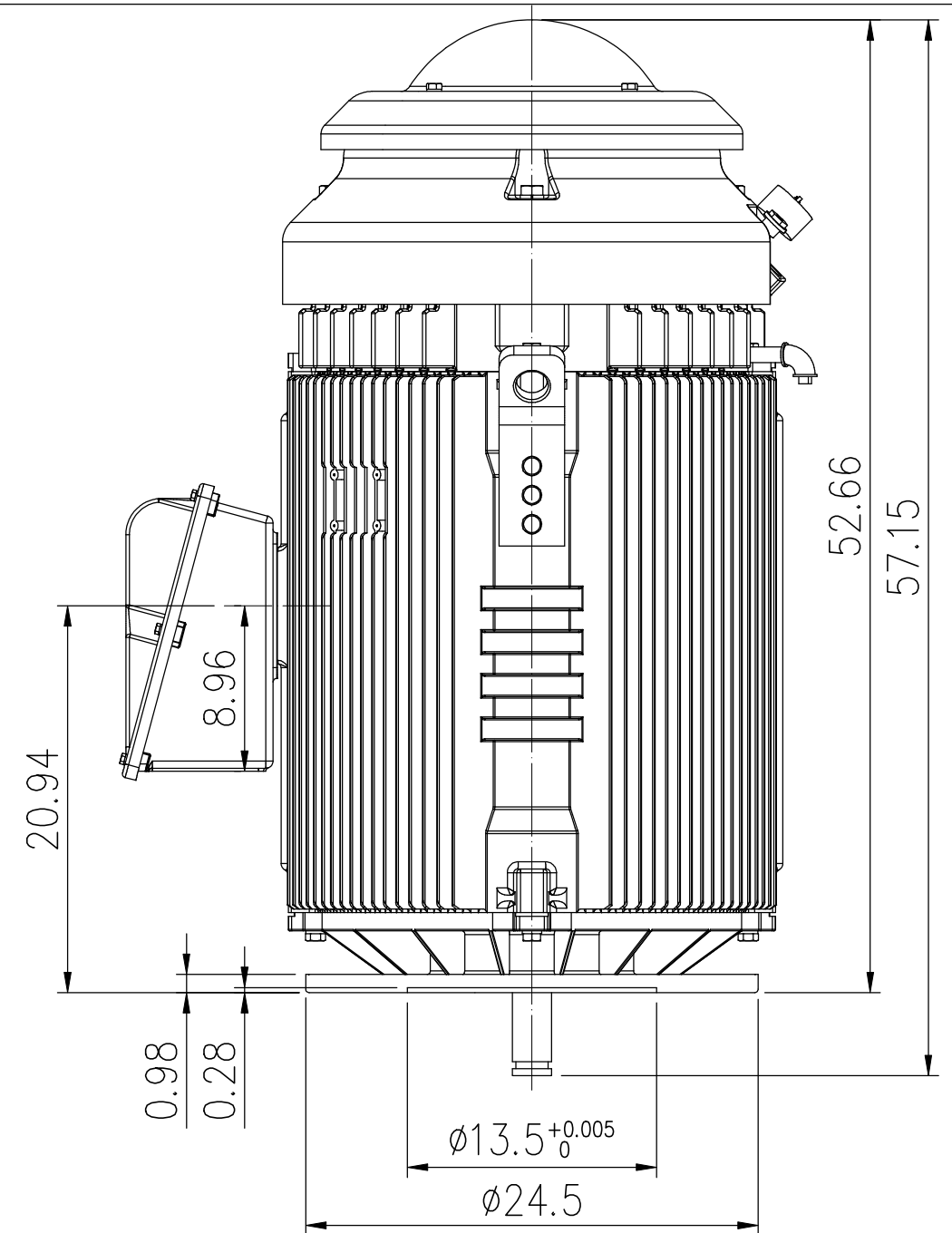


Preliminary Drawing, For Reference Only.
 FRAME 447VP24



** CONDUIT BOX CAN BE ROTATED IN STEP OF 90°
 ***MAX. DOWN THRUST : 4P = 11500 lbs
 6P = 14500 lbs

OUTPUT HP	POLE	VOLT	FREQ.	SYN. R.P.M.	BEARING LOWER SIDE 6218ZZ	APPROX WEIGHT 2880 lb	FILE NO. :
TYPE TEFC	FORM VSS	INS. CLASS F	RATING	FRAME 447VP	PROTECTION IP56	BEARING UPPER SIDE 7230DT	CUSTOMER :
							PO. NO. :
							ORDER NO. :
	△	REV MARK		APPROVED BY C.P.SU	CHECKED BY C.P.SU	TITLE OUTLINE FOR THREE PHASE INDUCTION MOTOR	
		DATE	SCALE	DESIGNED BY J.J.SYU	DRAWING BY J.J.SYU		
		APPROVED BY	UNIT	inch			
		REVISED BY					
		CONTENT				DRAWING NO. AS-071409	REV.MARK 00

