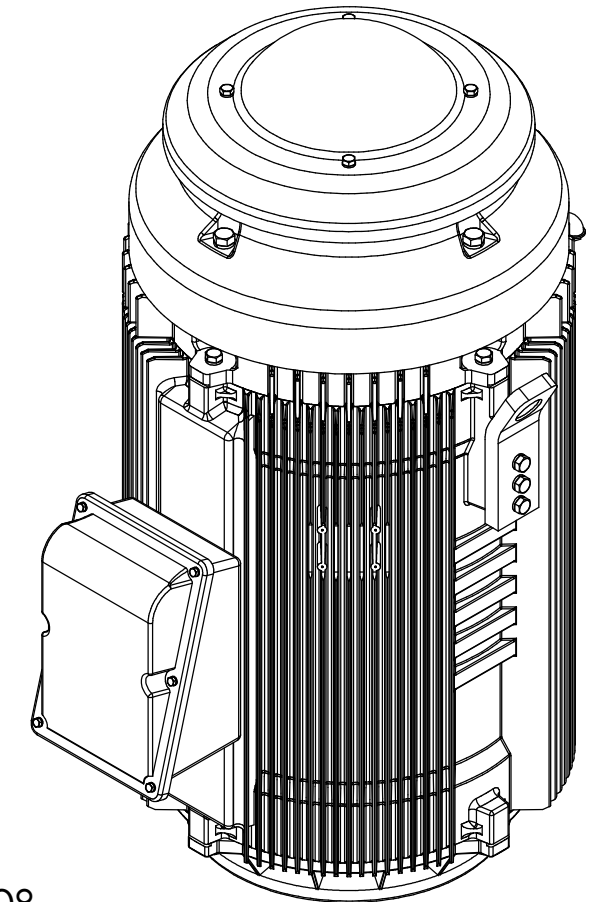
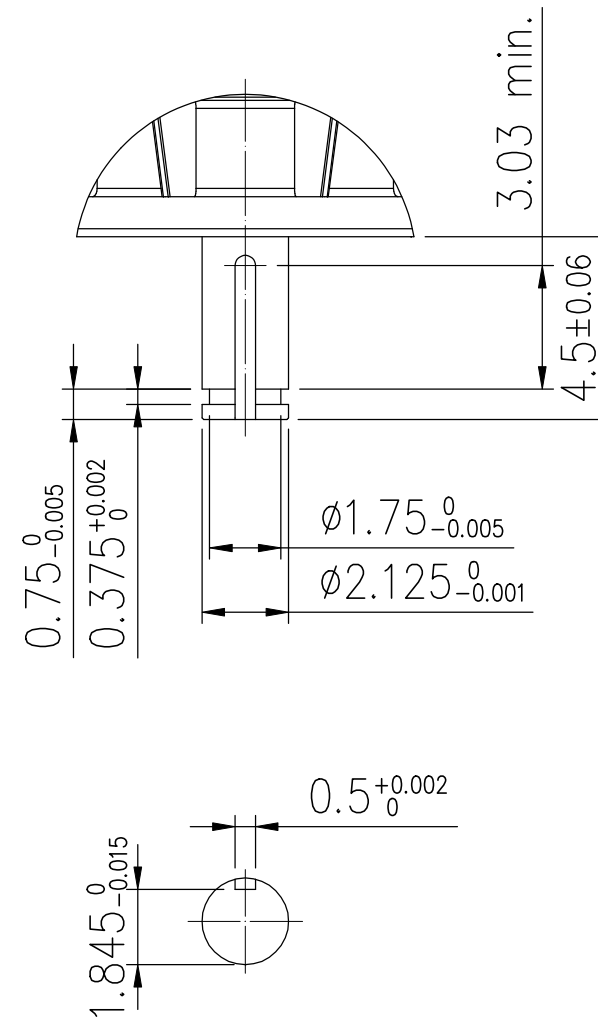
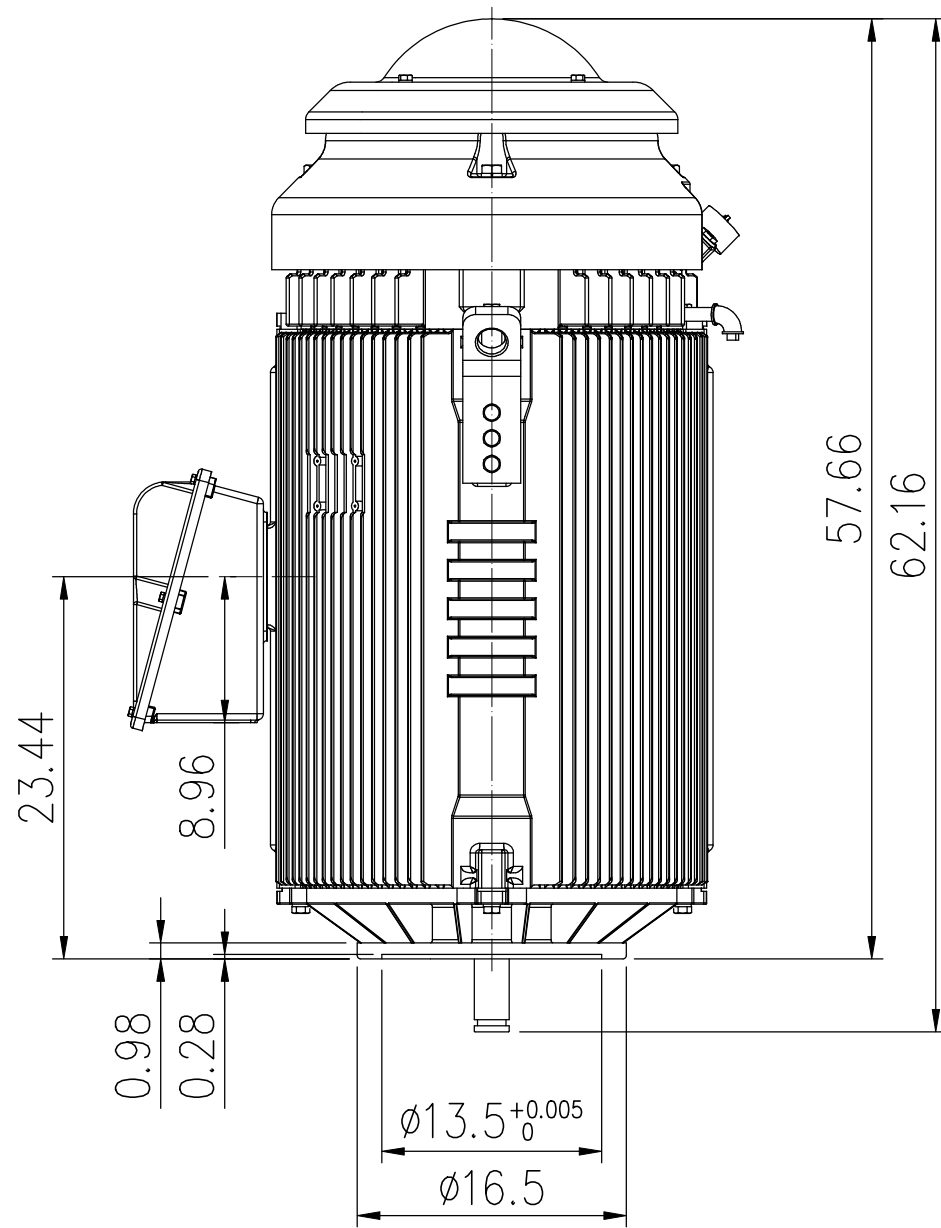


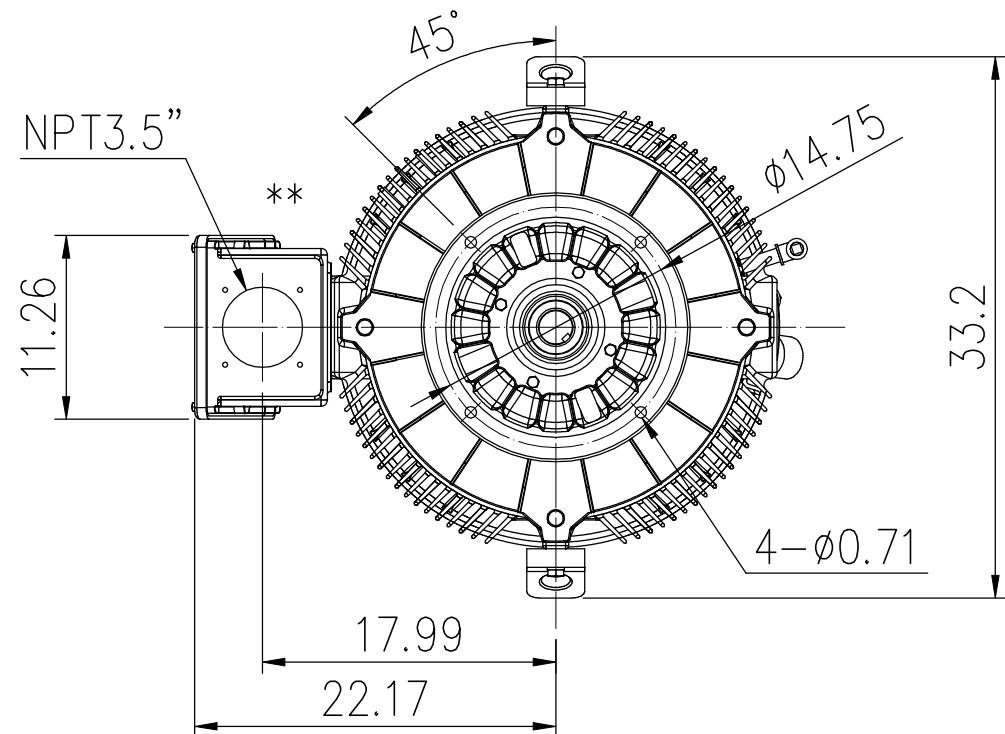
Preliminary Drawing, For Reference Only.

FRAME 449VP16



\*\* CONDUIT BOX CAN BE ROTATED IN STEP OF 90°

\*\*\*MAX. DOWN THRUST : 4P = 11200 lbs  
6P = 14000 lbs



OUTPUT HP	POLE	VOLT	FREQ.	SYN. R.P.M.	BEARING LOWER SIDE 6218ZZ UPPER SIDE 7230DT	APPROX WEIGHT 3200 lb	FILE NO. : CUSTOMER : PO. NO. : ORDER NO. :
TYPE TEFC	FORM VSS	INS. CLASS F	RATING	FRAME 449VP	PROTECTION IP56		
	△	REV MARK	APPROVED BY C.P.SU	CHECKED BY C.P.SU	TITLE OUTLINE FOR THREE PHASE INDUCTION MOTOR		
		DATE	DESIGNED BY J.J.SYU	DRAWING BY J.J.SYU			
		APPROVED BY	SCALE inch				
		REVISED BY	UNIT				
		CONTENT					
						DRAWING NO. AS-071411	REV.MARK 00