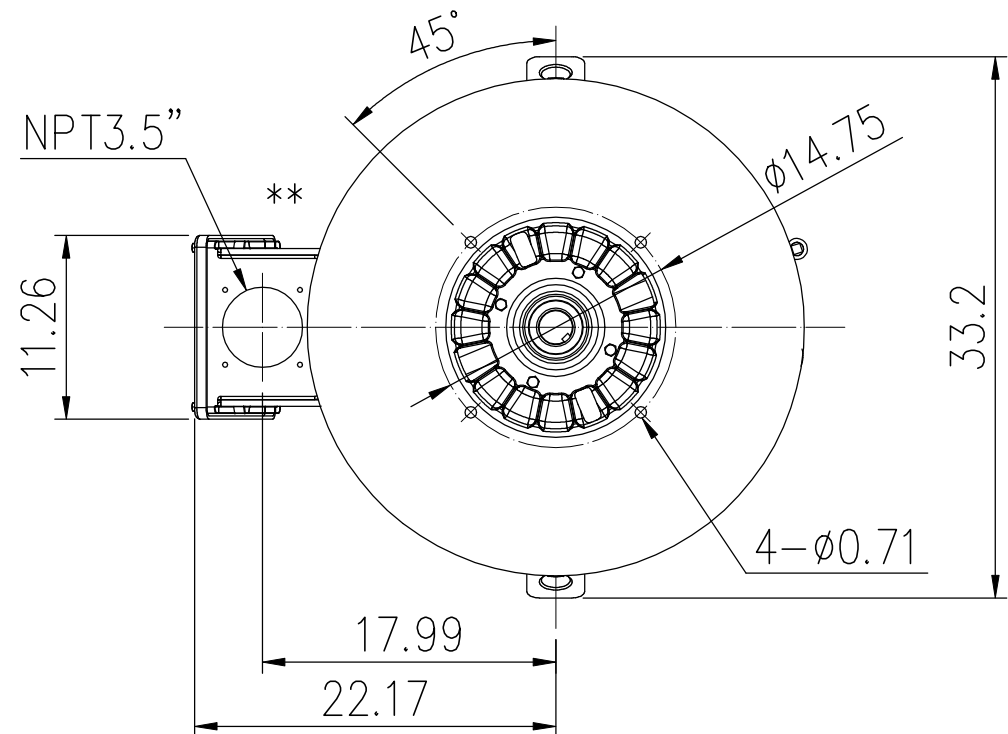
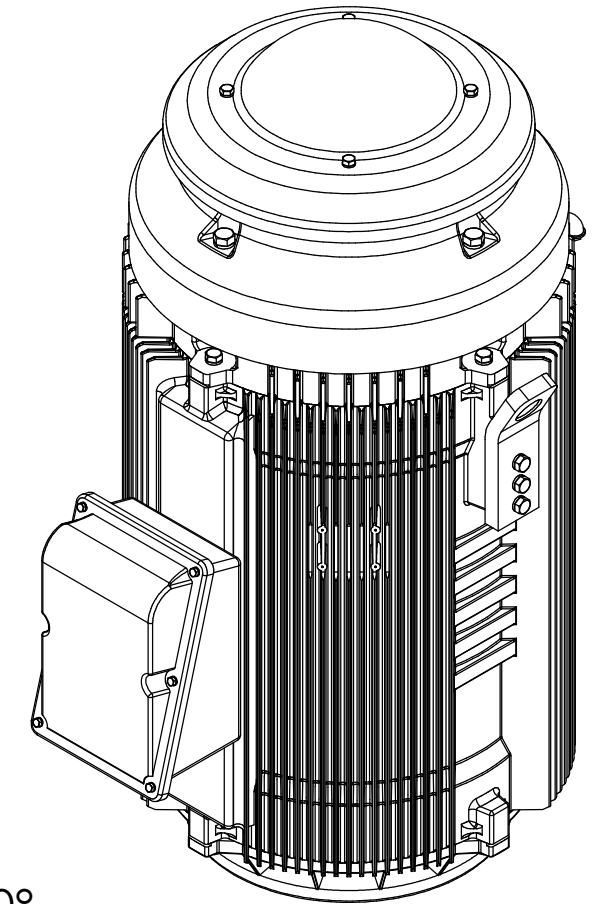
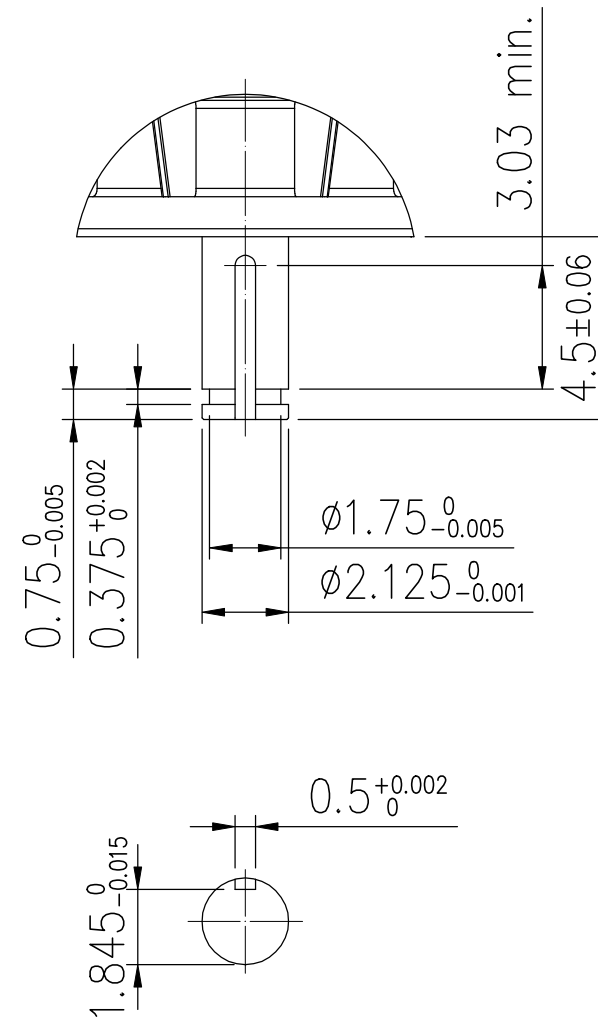
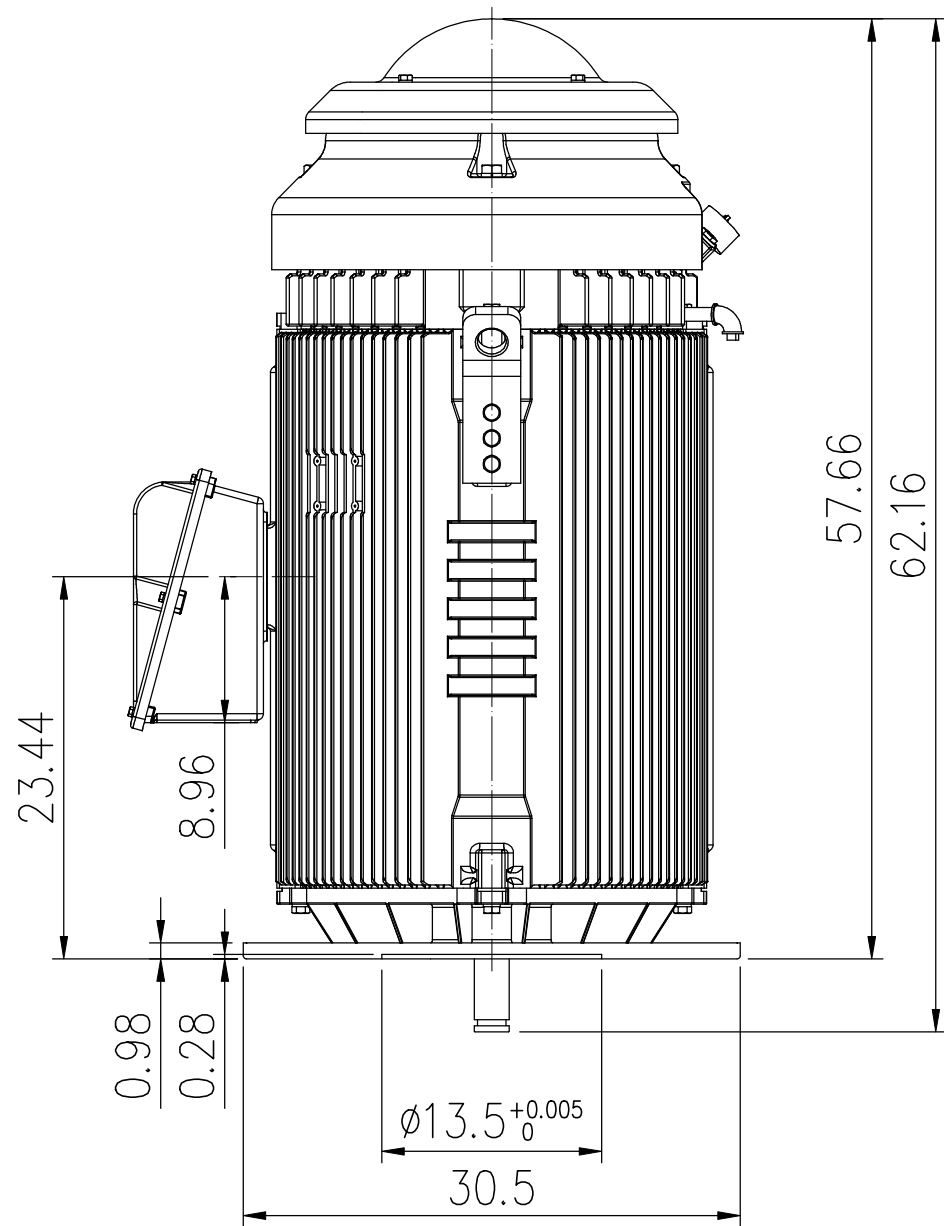


Preliminary Drawing, For Reference Only.

FRAME 449VP30



** CONDUIT BOX CAN BE ROTATED IN STEP OF 90°

***MAX. DOWN THRUST : 4P = 11200 lbs

6P = 14000 lbs

OUTPUT HP	POLE	VOLT	FREQ.	SYN. R.P.M.	BEARING LOWER SIDE 6218ZZ UPPER SIDE 7230DT	APPROX WEIGHT 3200 lb	FILE NO. : CUSTOMER : PO. NO. : ORDER NO. :
TYPE TEFC	FORM VSS	INS. CLASS F	RATING	FRAME 449VP	PROTECTION IP56		
	\triangle	REV MARK	APPROVED BY C.P.SU		CHECKED BY C.P.SU	TITLE OUTLINE FOR THREE PHASE INDUCTION MOTOR	
		DATE	DESIGNED BY J.J.SYU		DRAWING BY J.J.SYU		
		APPROVED BY	SCALE	UNIT	inch		
		REVISED BY	REVISION				
		CONTENT			DRAWING NO. AS-071413		REV.MARK 00