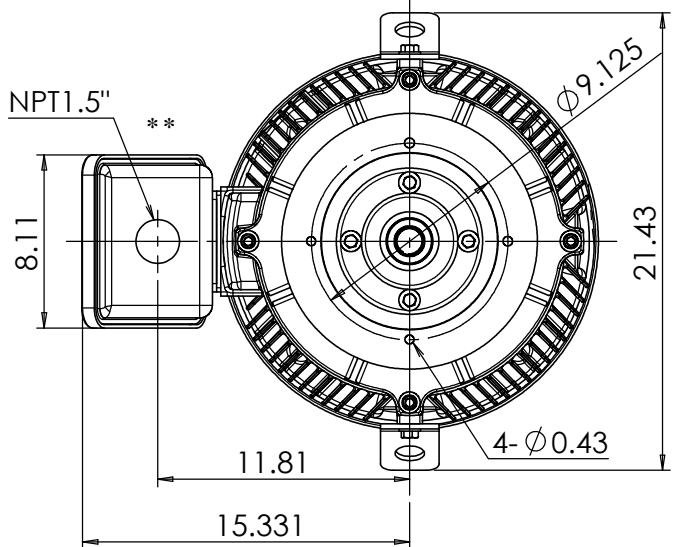
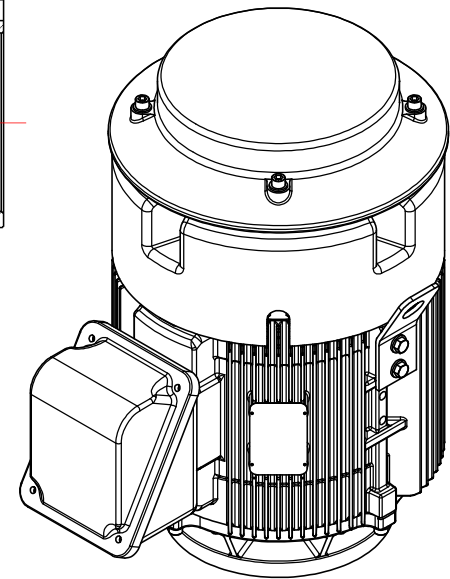
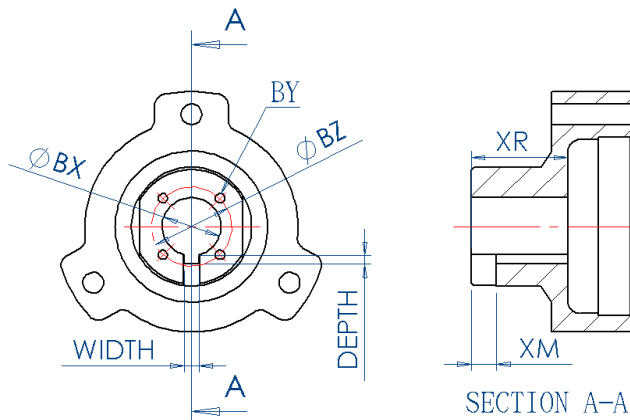


Coupling kits no.	BX	BY	BZ	XM	XR	KEYWAY	
						WIDTH	DEPTH
434-59234-91	1.001	10-32UNF	1.375	0.43	1.85	0.250	0.140
434-59234-92	1.188	1/4-20UNC	1.750				
434-59234-93	1.251						
434-59234-94	0.751	N/A				N/A	



FRAME 284TP10/286TP10
 * CLEARANCE TO HOLD
 ** CONDUIT BOX CAN BE ROTATED IN STEP OF 90°
 ***MAX. DOWN THRUST : 2P = 2500 lbs
 4P = 3100 lbs
 6P = 3550 lbs

OUTPUT HP	POLE	VOLT	FREQ.	SYN. R.P.M.	BEARING LOWER SIDE 6311ZZ UPPER SIDE 7311B	APPROX WEIGHT 630lb	FILE NO. : CUSTOMER : PO. NO. : ORDER NO. :
TYPE TEFC	FORM VHS	INS. CLASS F	RATING	FRAME 284/6TP	PROTECTION IP 56		
REV. MARK		APPROVED BY T.M.LIAO		CHECKED BY C.P.SU		TITLE	
DATE		DESIGNED BY C.C.CHU		DRAWING BY C.C.CHU		OUTLINE FOR THREE PHASE INDUCTION MOTOR	
APPROVED BY		SCALE inch				DRAWING NO. AS-071483	
REVISED BY		UNIT inch				REV.MARK 00	
CONTENT		REVISION					