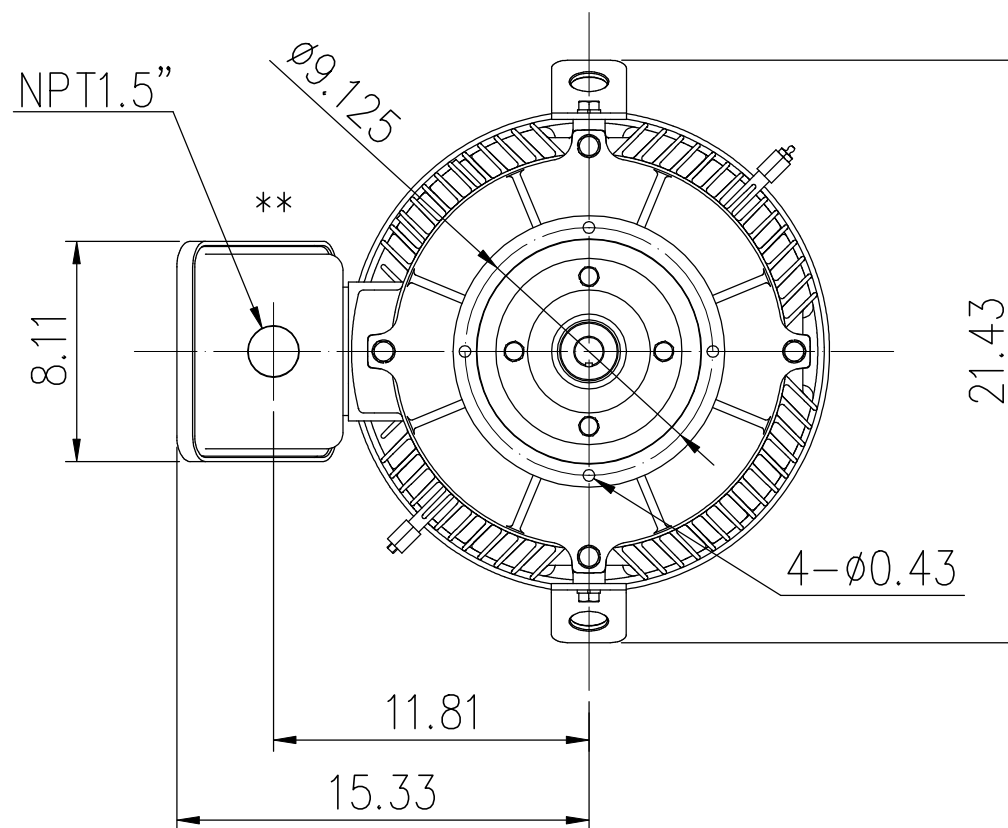
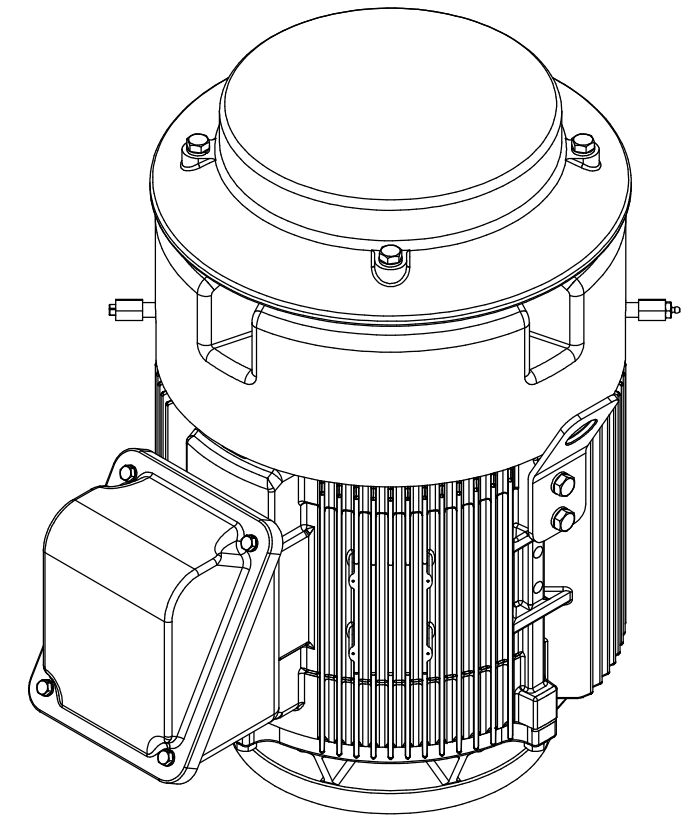
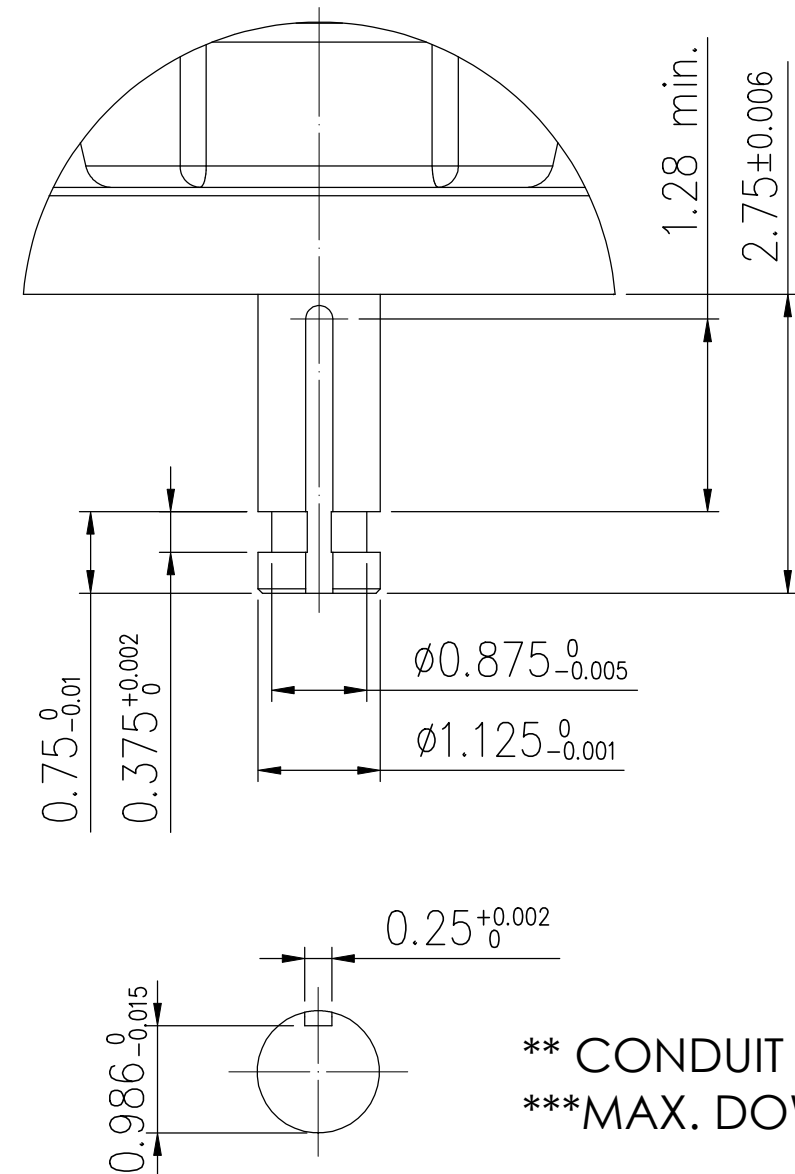
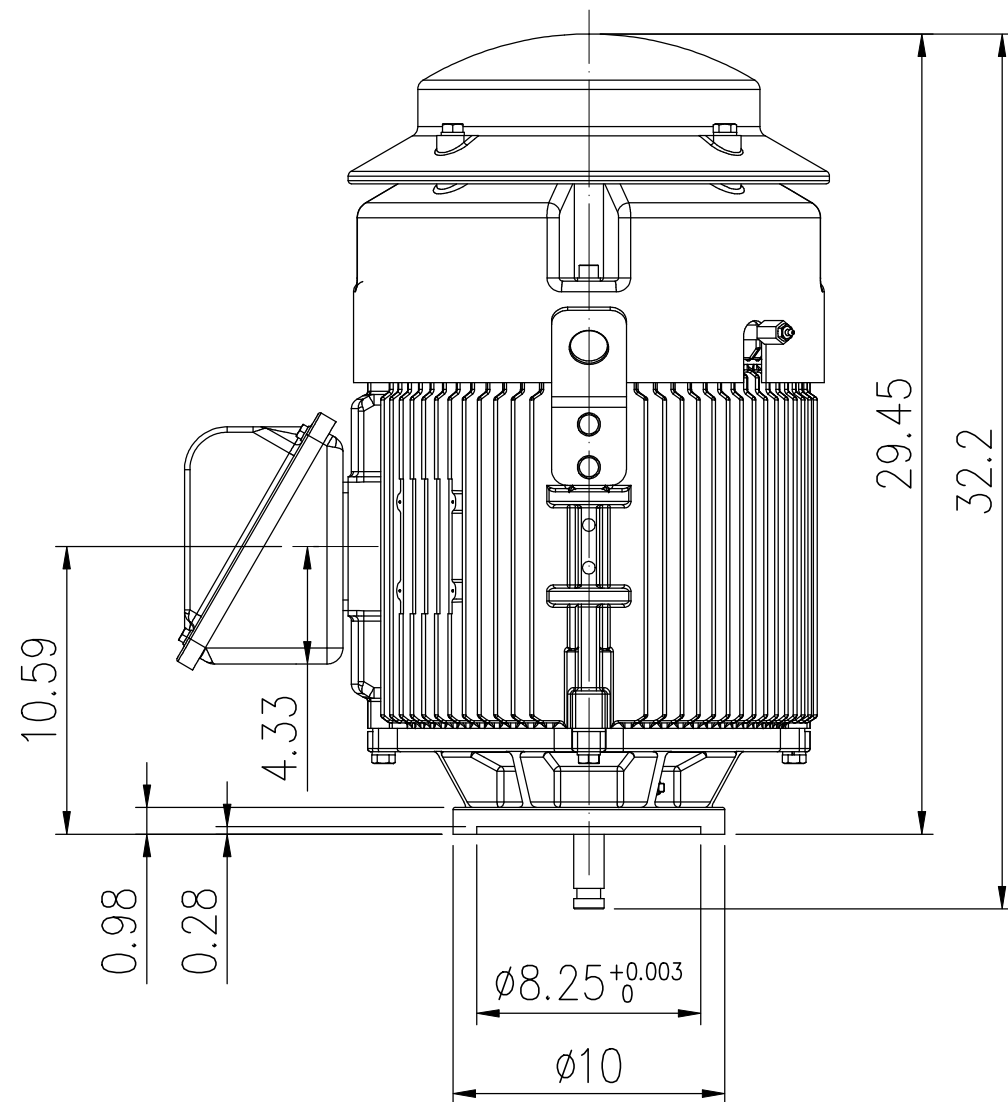


Preliminary Drawing, For Reference Only.
 FRAME 284VP10/286VP10



** CONDUIT BOX CAN BE ROTATED IN STEP OF 90°
 ***MAX. DOWN THRUST : 2P = 2500 lbs
 4P = 3100 lbs
 6P = 3550 lbs

OUTPUT HP	POLE	VOLT	FREQ.	SYN. R.P.M.	BEARING LOWER SIDE 6311ZZ UPPER SIDE 7311B	APPROX WEIGHT 630 lb	FILE NO. : CUSTOMER : PO. NO. : ORDER NO. :
TYPE TEFC	FORM VSS	INS. CLASS F	RATING	FRAME 284/6VP	PROTECTION IP56		
	△	REV MARK	APPROVED BY T.M.LIAO		CHECKED BY C.P.SU	TITLE OUTLINE FOR THREE PHASE INDUCTION MOTOR	
		DATE	SCALE	DESIGNED BY C.C.CHU	DRAWING BY C.C.CHU		
		APPROVED BY	UNIT inch				
		REVISED BY	REVISION		DRAWING NO. AS-071484		REV.MARK 00
		CONTENT					