

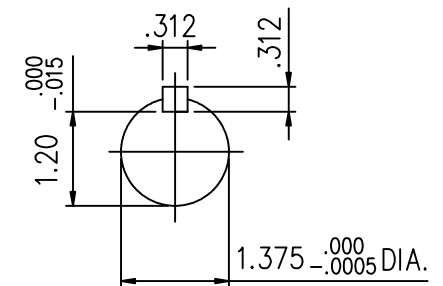
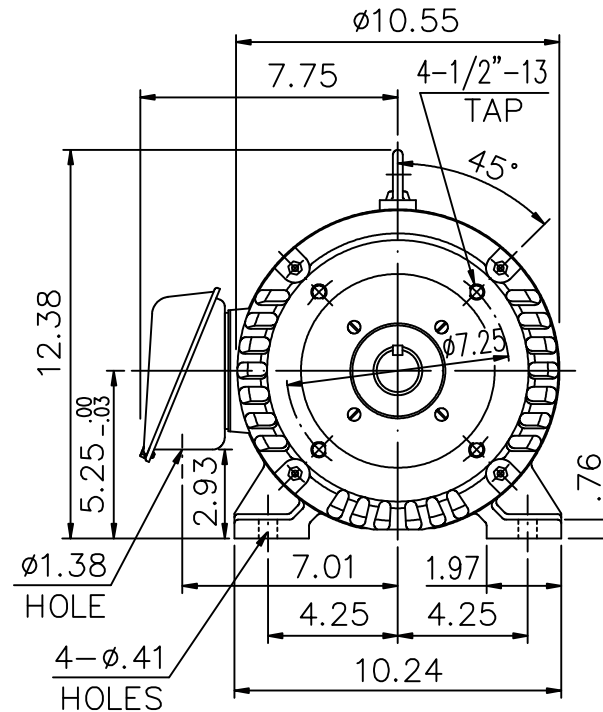
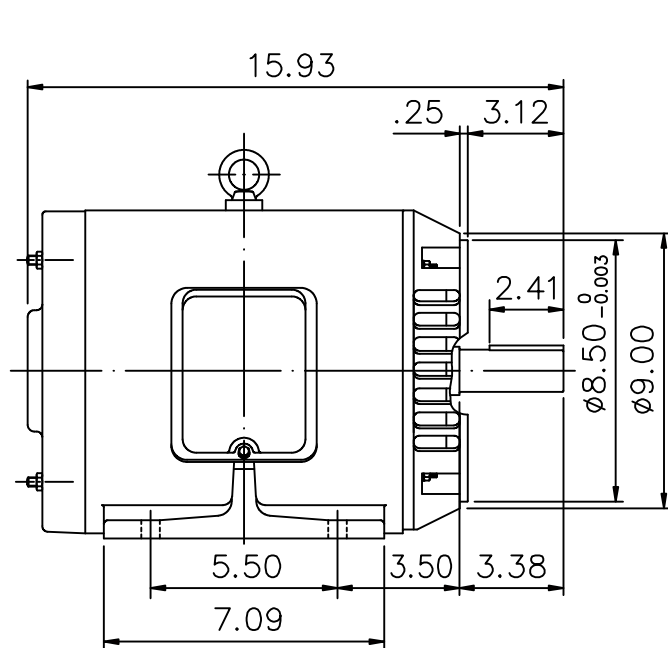
SUPER-MAX ALTERNATING CURRENT MOTORS

SQUIRREL-CAGE INDUCTION

CAST-IRON FRAME

ENCLOSURE: OPEN DRIP PROOF
 MOUNTING: FOOT
 COOLING: SELF-VENTILATION

FRAME 213TC



- (1) DIMENSIONS ARE IN INCHES.
- (2) APPROXIMATE WEIGHT = 10HP, 2P, - 145 LBS.
7.5HP, 4P, - 137 LBS.
- (3) DRIVE END BEARING 6308ZZ
OPPOSITE DRIVE END BEARING 6208ZZ
- (4) INTERNAL VOLUME OF CONDUIT BOX=50.3 CU, IN.

OUTPUT	POLE	SYN. SPEED	VOLT	FREQ.	CERTIFIED BY _____ DATE _____
					DIMENSION SHEET AS-992185
DR. BY <u>W. D. KUD</u> CK. BY <u>L. J. LEE</u> APP. BY <u>T. M. LIAD</u> DATE <u>JUN 18 2010</u>					