

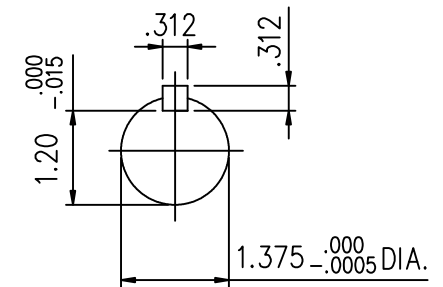
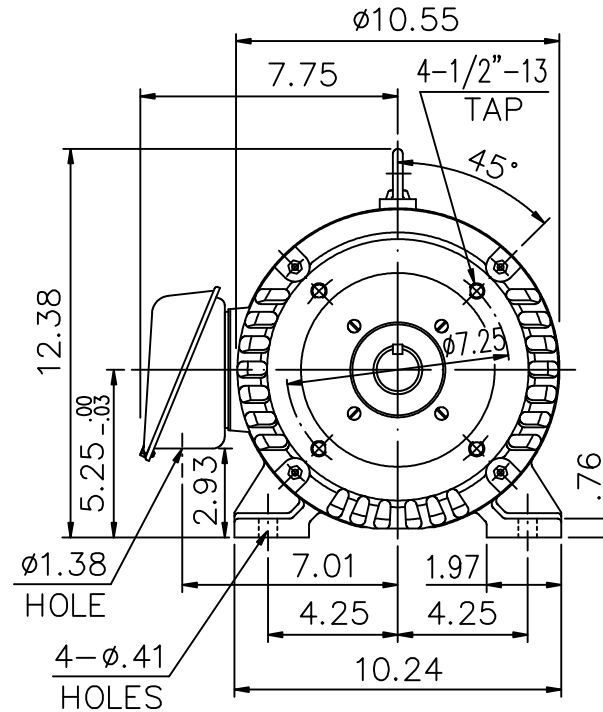
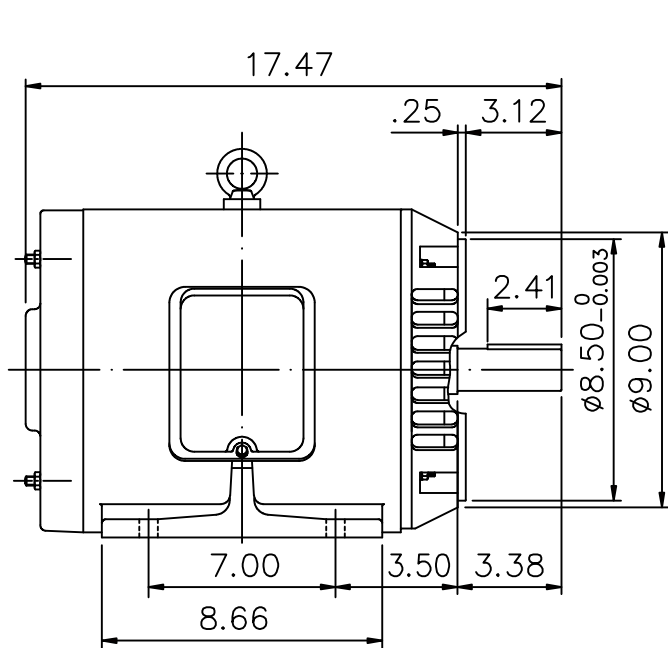
# SUPER-MAX ALTERNATING CURRENT MOTORS

## SQUIRREL-CAGE INDUCTION

### CAST-IRON FRAME

ENCLOSURE: OPEN DRIP PROOF  
 MOUNTING: FOOT  
 COOLING: SELF-VENTILATION

FRAME 215TC



- (1) DIMENSIONS ARE IN INCHES.
- (2) APPROXIMATE WEIGHT = 10HP, 2P, - 160 LBS.  
10HP, 4P, - 163 LBS.
- (3) DRIVE END BEARING 6308ZZ  
OPPOSITE DRIVE END BEARING 6208ZZ
- (4) INTERNAL VOLUME OF CONDUIT BOX=50.3 CU, IN.

OUTPUT	POLE	SYN. SPEED	VOLT	FREQ.	CERTIFIED BY _____ DATE _____
<b>TATUNG</b>					DIMENSION SHEET
DR. BY <u>W. D. KUD</u> CK. BY <u>L. J. LEE</u> APP. BY <u>T. M. LIAD</u> DATE <u>JUN. 18. 2010</u>					AS-992186