

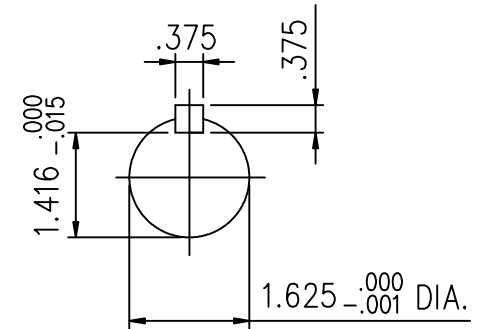
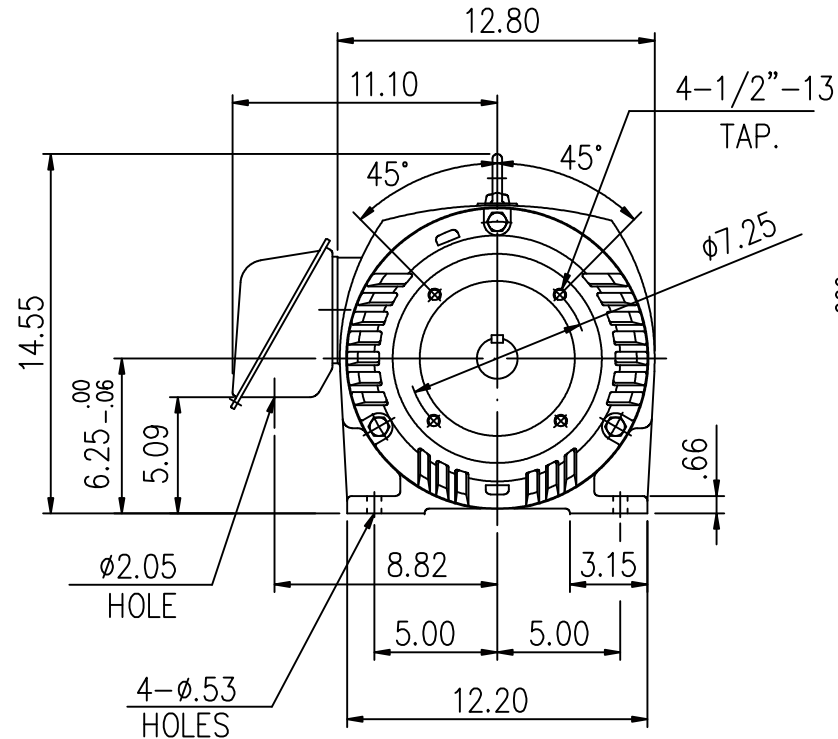
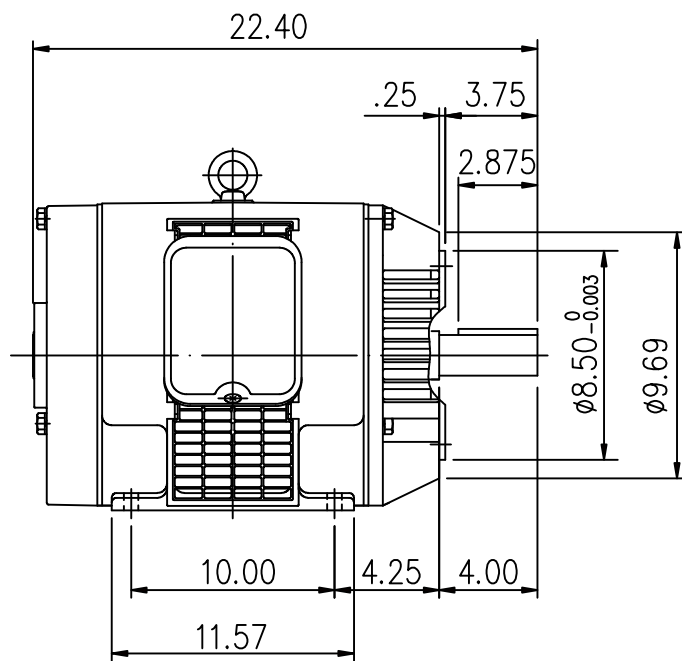
SUPER-MAX ALTERNATING CURRENT MOTORS

SQUIRREL-CAGE INDUCTION

CAST-IRON FRAME

ENCLOSURE: OPEN DRIP PROOF
 MOUNTING: FOOT
 COOLING: SELF-VENTILATION

FRAME 256TC



- (1) DIMENSIONS ARE IN INCHES.
- (2) APPROXIMATE WEIGHT = 25 HP, 2 P, - 307 LBS.
 20 HP, 4 P, - 307 LBS.
 10 HP, 6 P, - 307 LBS.
- (3) DRIVE END BEARING 6310ZZ
 OPPOSITE DRIVE END BEARING 6208ZZ
- (4) INTERNAL VOLUME OF CONDUIT BOX=110.9 CU. IN.

OUTPUT	POLE	SYN. SPEED	VOLT	FREQ.	CERTIFIED BY _____ DATE _____
					DR. BY <u>W. D. KUD</u> CK. BY <u>L. J. LEE</u> APP. BY <u>T. M. LIAD</u> DATE <u>JUN. 18. 2010</u>
DIMENSION SHEET					AS-992188